



With the GS Series Verachtert offers you an extensive range of clamshell grabs (GOS/GGS) with vertical cylinders for bulk material handling. Verachtert's clamshell grabs are ideal for applications that vary from loading and unloading ships to digging trenches. These clamshell grabs are available with a hydraulic or mechanical 360° rotator, and can be supplied with the following options: scraper, wear plates, cylinder protection and grab extensions.

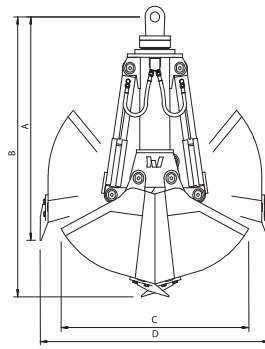
Verachtert's GOS transfer grab is available with the following options: scraper, hook eye, wear plates, dust seals, low-maintenance bushings and cylinder protection ■



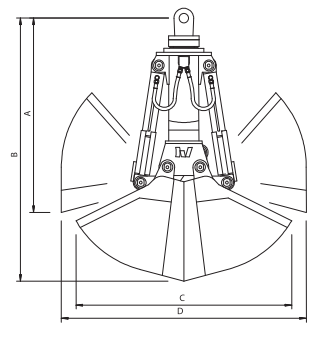
GGG



GOS



GGG



GOS

Specifications <b>GGG / GOS</b>	GGG-25	GGG-35	GOS - 25	GOS - 35	GOS - 45	GOS - 50	GOS - 60
Excavator class (ton)	12 - 20	15 - 25	12 - 20	15 - 25	20 - 35	30 - 45	40 - 65
MH class (ton)	-	-	15 - 25	20 - 35	30 - 45	40 - 65	65 - 90
Max. Lifting (ton)	3,5	5,0	3,5	5,0	6,0	12,0	20,0
Hydraulic open/close P max. (bar)	300	300	300	300	300	300	300
Hydraulic open/close Q optimum (bar)	65 - 100	80 - 125	65 - 100	80 - 125	100 - 150	140 - 200	180 - 250
Hydraulic rotation P optimum (l/min)	180	180	180	180	180	180	180
Hydraulic rotation Q optimum (l/min)	15	15	15	15	25	25	40

### Dimensions (mm)

Type <b>GGG</b>	grab capacity (l)	weight** (kg)	A	B	C	D	width	number of teeth
GGG-25-460	460	690	1580	1970	1430	1730	800	7
GGG-25-580	580	790	1580	1970	1430	1730	1000	9
GGG-35-310	310	890	1760	2235	1710	2050	420	3
GGG-35-450	450	950	1760	2235	1710	2050	600	5
GGG-35-700	700	1060	1760	2235	1710	2050	900	7

Type <b>GOS</b>	grab capacity (l)	weight** (kg)	mat. (t/m <sup>3</sup> )	Required lifting capacity (kg)	A	B	C	D	width
GOS-25-750	750	840	1,8	2190	1485	2010	1645	1870	1000
GOS-25-900	900	900	1,8	2520	1485	2010	1645	1870	1200
GOS-35-780	780	1050	3,0	3390	1635	2150	1710	1950	1000
GOS-35-1050	1050	1290	1,8	3180	1660	2255	1890	2150	1100
GOS-35-1260	1260	1360	1,8	3630	1660	2255	1890	2150	1300
GOS-35-1460	1460	1440	1,2	3190	1660	2255	1860	2150	1500
GOS-35-1670	1670	1520	1,2	3520	1660	2255	1860	2150	1700
GOS-45-1270	1270	1530	3,0	5340	1740	2310	1900	2170	1300
GOS-45-1580	1580	1680	1,8	4520	1770	2420	2110	2400	1300
GOS-45-1710	1710	1720	1,8	4800	1770	2420	2110	2400	1400
GOS-45-2020	2020	1830	1,2	4250	1770	2420	2110	2400	1650
GOS-50-1950	1950	2600	1,8	6110	2050	2680	2140	2400	1600
GOS-50-2200	2200	2700	1,8	6660	2050	2680	2140	2440	1800
GOS-50-2450	2450	2800	1,8	7210	2050	2680	2140	2440	2000
GOS-60-2330	2330	3650	1,8	7840	2230	2920	2350	2690	1600
GOS-60-2630	2630	3780	1,8	8510	2230	2920	2350	2690	1800
GOS-60-2920	2920	3910	1,8	9170	2230	2920	2350	2690	2000

\* Other models available on request. \*\* Weight of grab includes hydraulic rotor.

Your dealer:

