

**QUICKCOUPLER
CONNECTOMAAT**

TYPE: CW-45
ITEM No.: DEE 1&UP

serial number :

your supplier :



Product information

Note: For product identification plate locations, see the section “Product Identification information” in the Operation and Maintenance Manual.

Delivery date _____

Product Information

Model: _____

Product identification Number: _____

Engine Serial Number: _____

Transmission Serial Number: _____

Generator Serial Number: _____

Attachment Serial Numbers: _____

Attachment Information: _____

Customer Equipment Number: _____

Dealer Equipment Number _____

Dealer Information

Name: _____ Branch: _____

Address: _____

Dealer Contact

Phone Number

Hours

sales: _____

Parts: _____

service: _____

PARTSBOOK

For a proper and save functioning, it is required to replace defective parts by original spare parts.

Repairing or welding parts is only allowed with written permission of your supplier.

In order to make sure the correct part is delivered on time, please state the following:

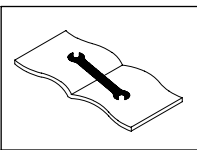
- type of equipment
- serial number
- position number
- part number
- quantity
- name and adress of customer

The first two items can also be found in the operating manual or the type label mounted on the product.

The instructions to use the product are given in the 'operating manual'. The delivery of the product also includes the operating manual.

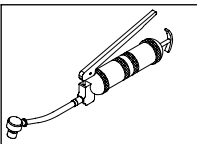
Always consult the operating manual when carrying out maintenance or repair jobs.

BETEKENIS VAN DE GEBRUIKTE SYMBOLEN / USE OF SYMBOLES



Bij vervangen van dit onderdeel zie gebruikershandleiding

Service indicator/read technical manual



Voor het smeren van onderdelen zie gebruikershandleiding

For lubrication see manual

SERIAL No.

SQ571900

DEE 1&UP

STRUCTURAL COMPONENTS

TYPE

DATE

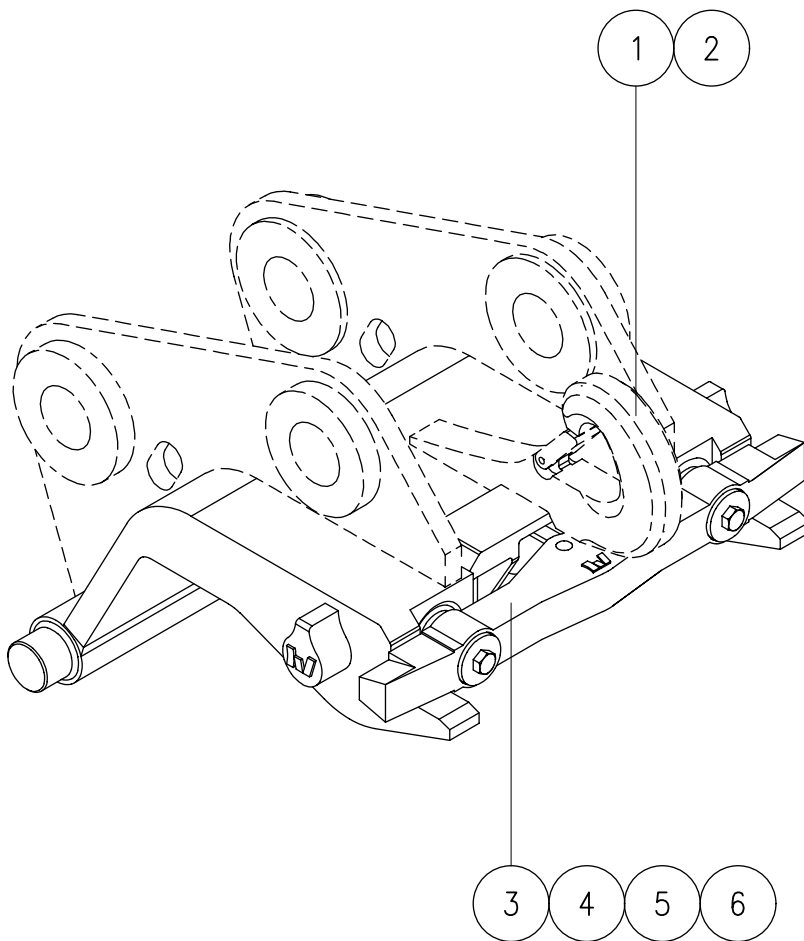
PAGE


Connect'O'maat

CW-45

08/01

010.05.02



SERIAL/ITEM No.	SQ571900	DEE 1&UP								STRUCTURAL COMPONENTS	TYPE	DATE	PAGE	
										Connect'O'maat	CW-45	08/01	010.05.02	

P O S	part number	description	Q T Y	remarks/dimensions
1	SQ558600	Lifting yoke (option)	1	Page 020.05.01
2	173-9957	Hoisting hook (option)	1	Page 021.05.02
3	SQ52400A	Mechanical version with plugs	1	Page 030.05.02
4	210-6415	Mechanical version with springs	1	Page 040.05.02
5	209-3464	Hydraulic version	1	Page 050.02.02
6	SQ6291A0	Grab suspension	1	Page 060.05.02
	SQ5616A0	Grab suspension	1	Page 060.05.02
	SQ6369A0	Grab suspension	1	Page 060.05.02
7	171-8612	Mechanical version with spindle	1	Page 070.05.00

SERIAL No.
SQ571900
DEE 1&UP

STRUCTURAL COMPONENTS

TYPE

DATE

PAGE

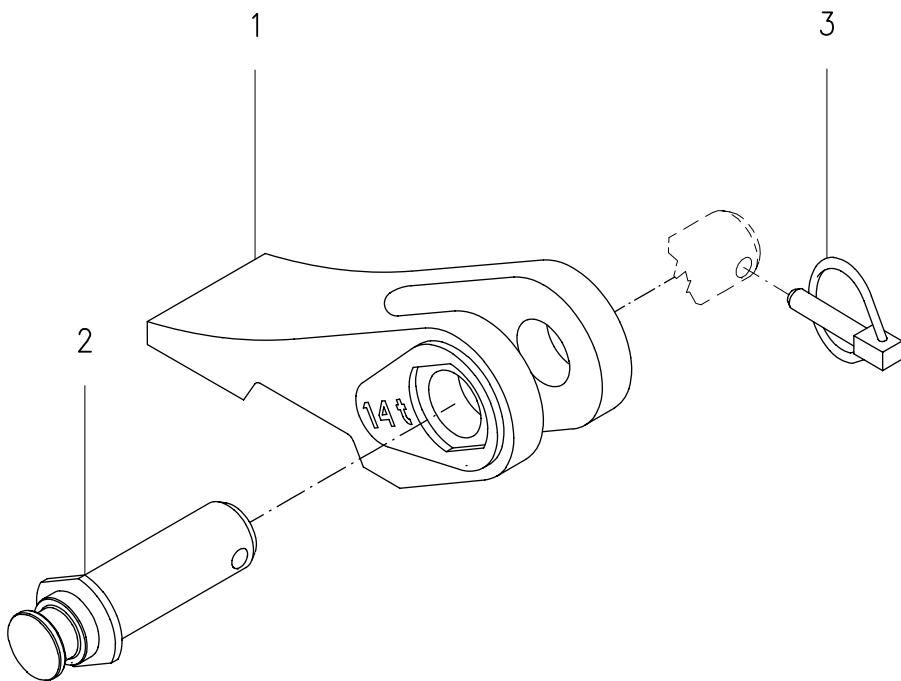
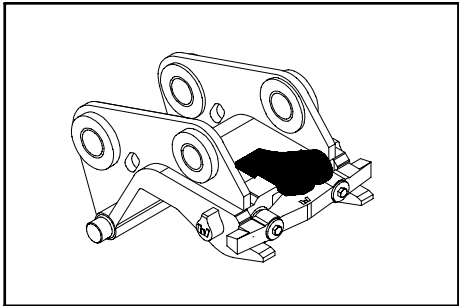



Lifting yoke

CW-45

08/01

020.05.01



SERIAL/ITEM No. SQ571900 DEE 1&UP	STRUCTURAL COMPONENTS		TYPE	DATE	PAGE	
	Lifting yoke		CW-45	08/01	020.05.01	

P O S	part number	description	Q T Y	remarks/dimensions
1	SQ566500	Block	1	
2	SQ565900	Pin	1	
3	41030000	Clip	1	

SERIAL No.

SQ571900

DEE 1&UP

STRUCTURAL COMPONENTS

TYPE

DATE

PAGE

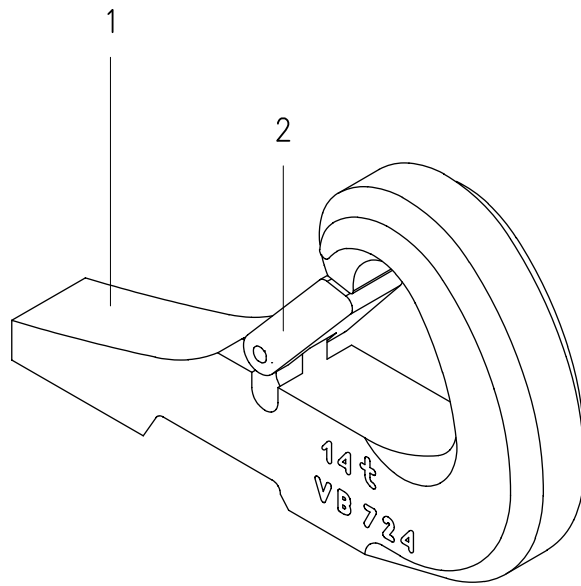
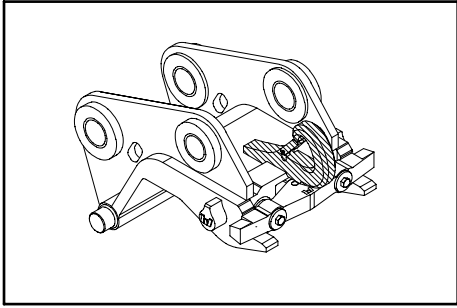



Hoisting hook

CW-45

08/01

021.05.02



SERIAL/ITEM No. SQ571900 DEE 1&UP	STRUCTURAL COMPONENTS		TYPE	DATE	PAGE	
	Hoisting hook		CW-45	08/01	021.05.02	

P O S	part number	description	Q T Y	remarks/dimensions
1	VQ578701	Block	1	
2	173-9971	Clip complete	1	

SERIAL No.
SQ571900
DEE 1&UP

STRUCTURAL COMPONENTS

TYPE

DATE

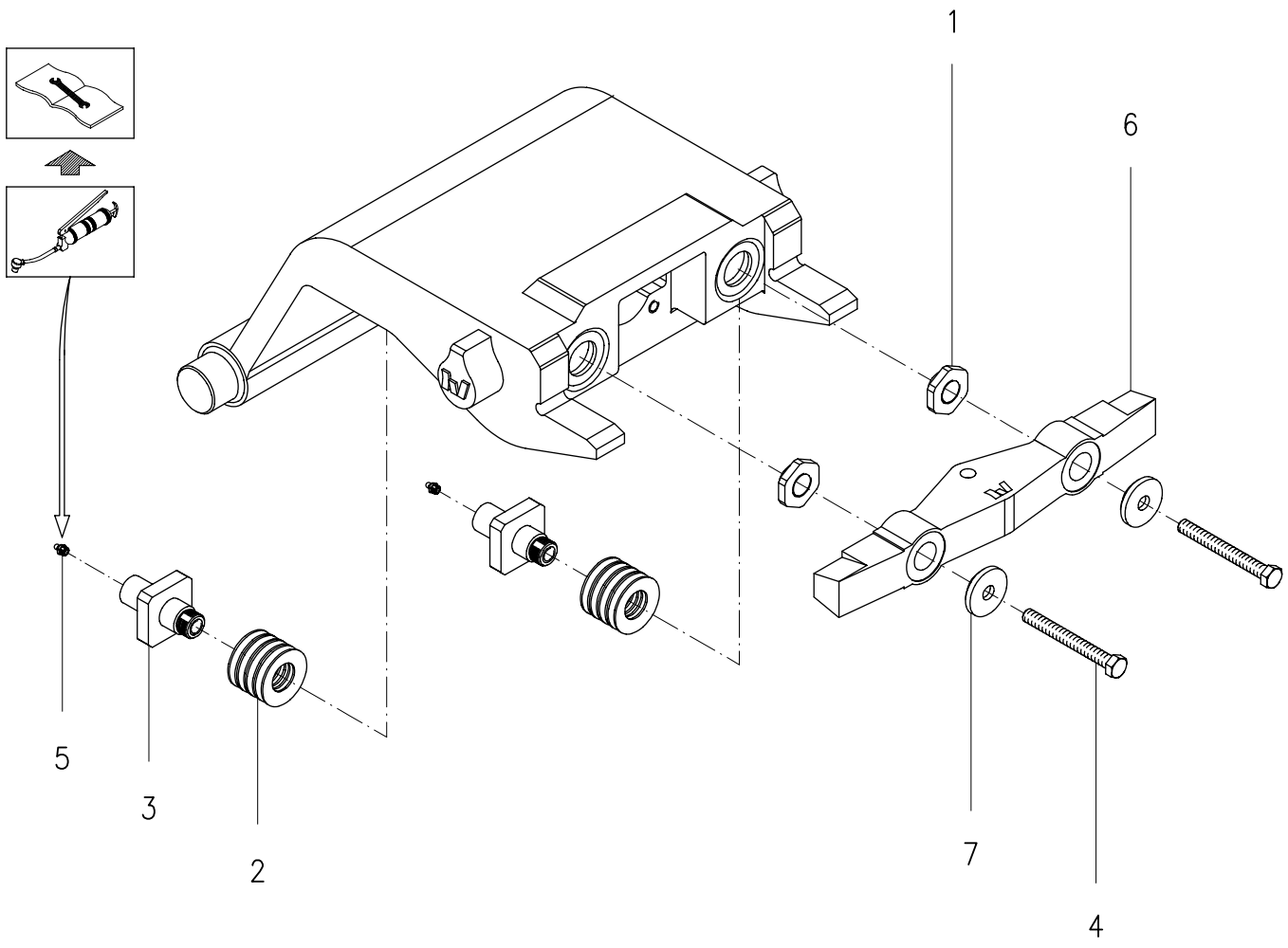
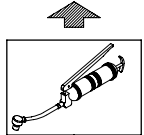
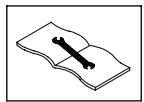
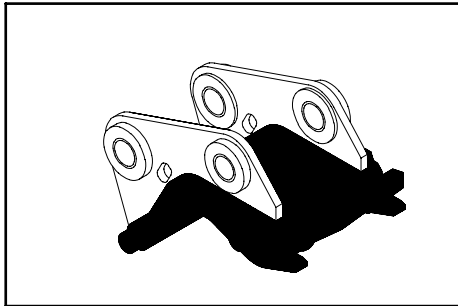
PAGE


Mechanical version with plugs

CW-45

08/01

030.05.02



SERIAL/ITEM No. SQ571900 DEE 1&UP	STRUCTURAL COMPONENTS		TYPE	DATE	PAGE	
	Mechanical version with plugs		CW-45	08/01	030.05.02	

P O S	part number	description	Q T Y	remarks/dimensions
1	VQ524001	Nut	2	Correspond to 166857
2	335454	Disk-spring	8	80x41x3
3	SQ523500	Plug	2	Correspond to 166856
4	207553	Bolt	2	M20x160 10.9 DIN933
5	095-0948	Lubricating nipple	2	R 1/8" 180° DIN71412
6	209-3466	Wedge	1	
7	169-0740	Ring	2	

SERIAL/ITEM No.
SQ571900
DEE 1&UP

STRUCTURAL COMPONENTS

TYPE

DATE

PAGE

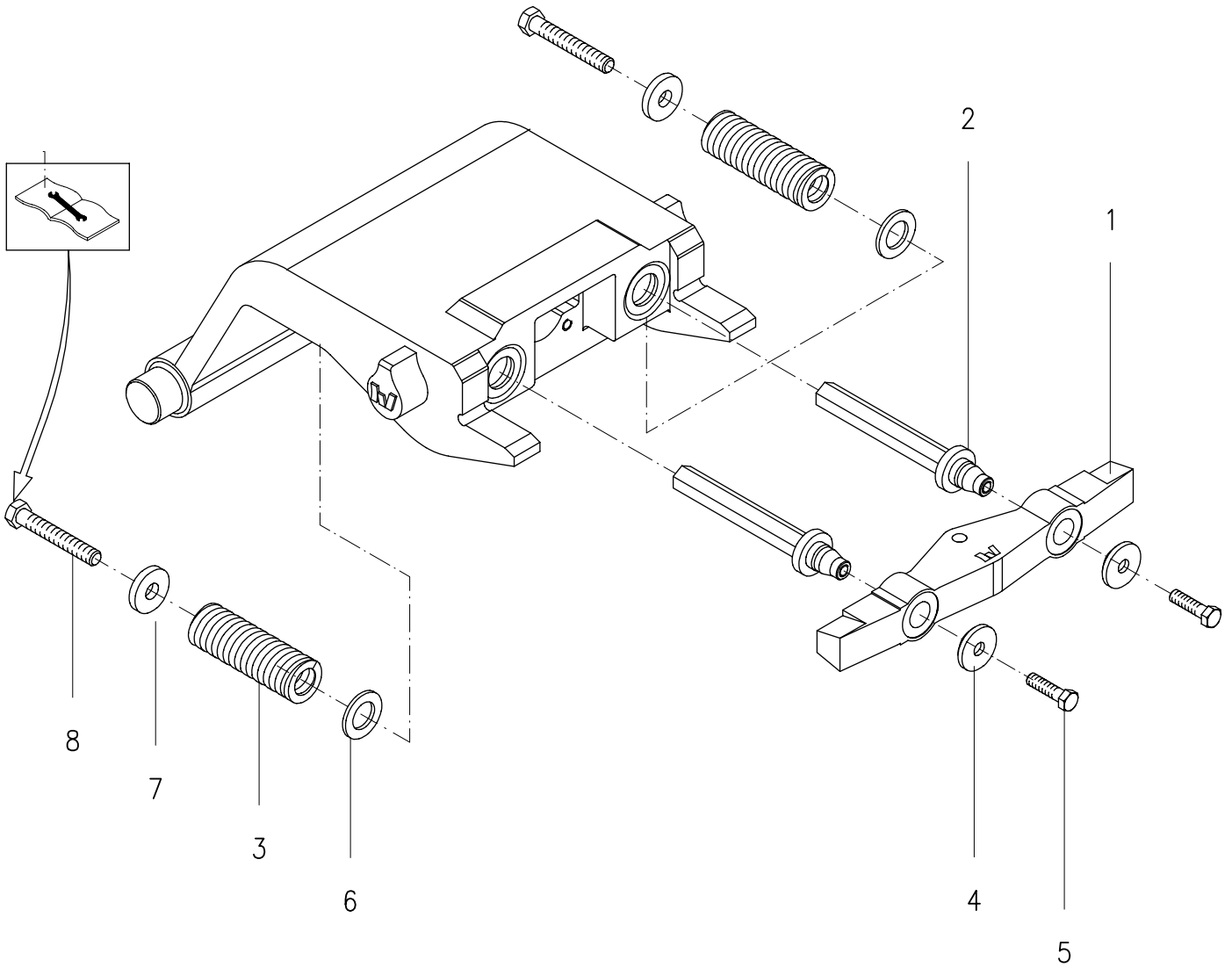
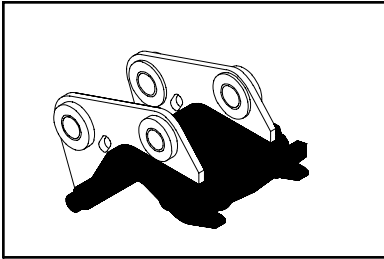



Mech. version with springs

CW-45

08/01

040.05.02



SERIAL/ITEM No.	SQ571900	DEE 1&UP							STRUCTURAL COMPONENTS	TYPE	DATE	PAGE	
									Mech. version with springs	CW-45	08/01	040.05.02	

P O S	part number	description	Q T Y	remarks/dimensions
1	209-3466	Wedge	1	
2	169-0737	Shaft	2	
3	169-0738	Spring	2	
4	169-0740	Ring	2	
5	169-2518	Bolt	2	M20x70 10.9 DIN933
6	169-0745	Retention plate	2	
7	169-0739	Ring	2	
8	169-2519	Bolt	2	M24x180 10.9 DIN933

SERIAL No.
SQ571900
DEE 1&UP

STRUCTURAL COMPONENTS

TYPE

DATE

PAGE

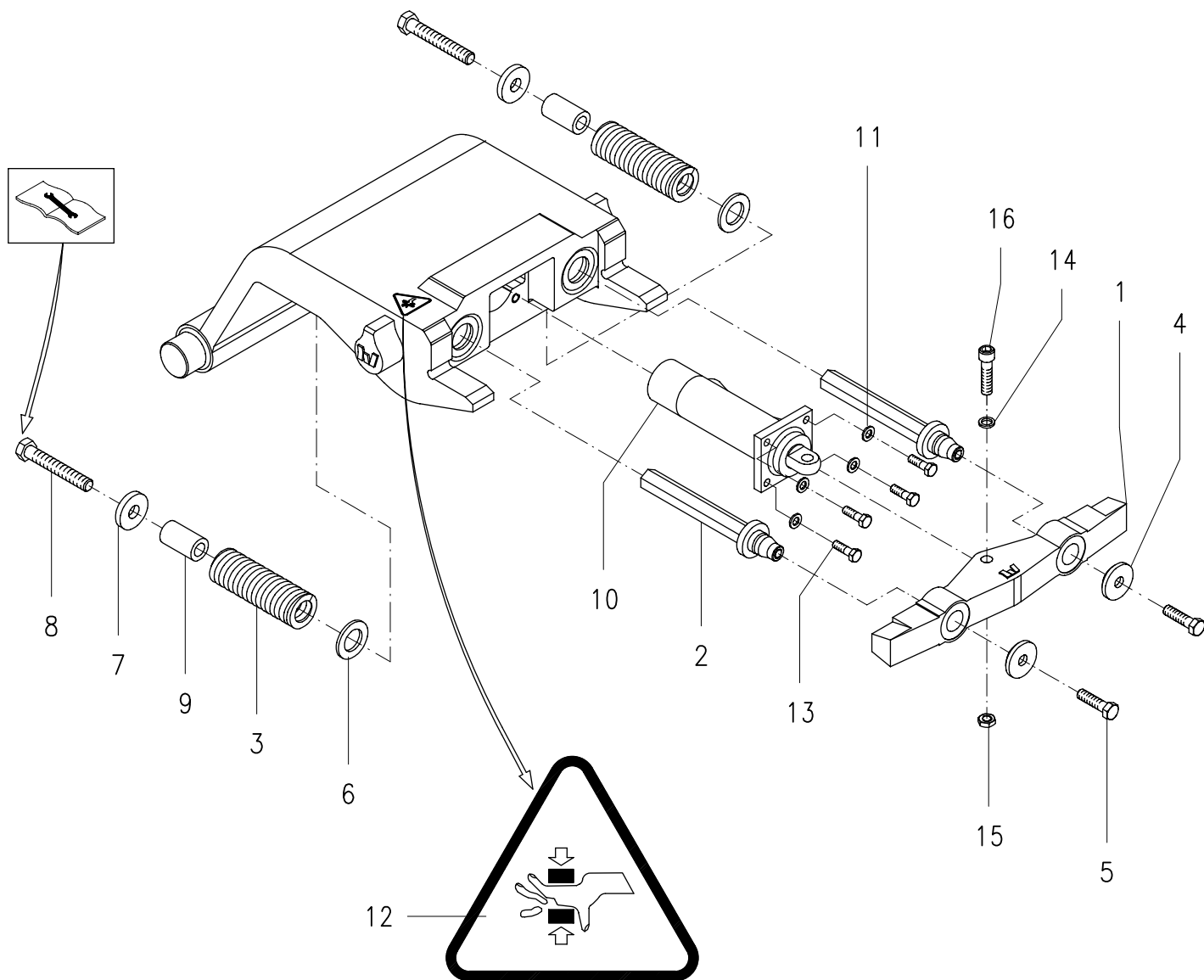
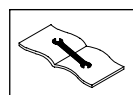
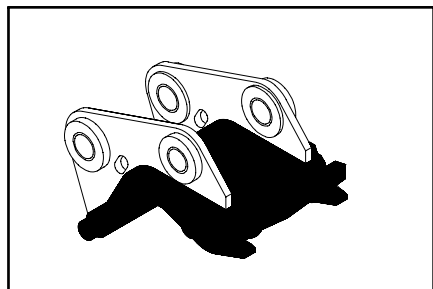



Hydraulic version

CW-45

08/01

050.05.02



SERIAL/ITEM No. SQ571900 DEE 1&UP	STRUCTURAL COMPONENTS		TYPE	DATE	PAGE	
	Hydraulic version		CW-45	08/01	050.05.02	

P O S	part number	description	Q T Y	remarks/dimensions
1	209-3466	Wedge	1	
2	169-0737	Shaft	2	
3	169-0738	Spring	2	
4	169-0740	Ring	2	
5	169-2518	Bolt	2	M20x70 10.9
6	169-0745	Retention plate	2	
7	169-0739	Ring	2	
8	169-2519	Bolt	2	M24x180 10.9
9	169-0756	Bush	2	
10	169-0753	Cylinder	1	
11	8T-4223	Washer	4	M12 DIN125-A
12	999002	Sticker "hands out"	2	
13	8T-4183	Bolt	4	M12x40 10.9
14	9X-8257	Washer	2	M16 DIN125-A
15	098-5747	Nut	2	M16 06 DIN439
16	095-0705	Bolt	1	M16x100 12.9

SERIAL/ITEM No.

SQ571900

DEE 1&UP

STRUCTURAL COMPONENTS

TYPE

DATE

PAGE

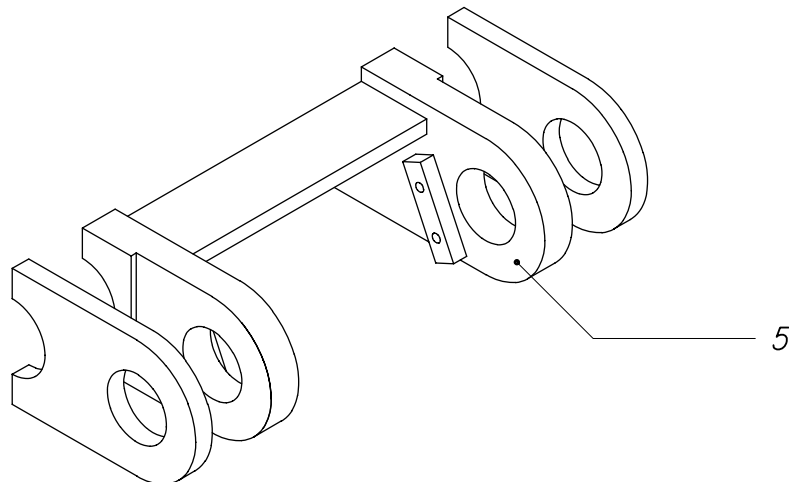
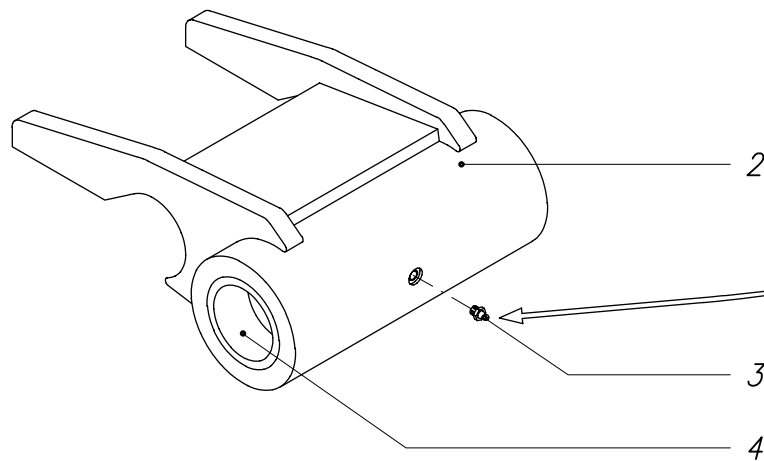
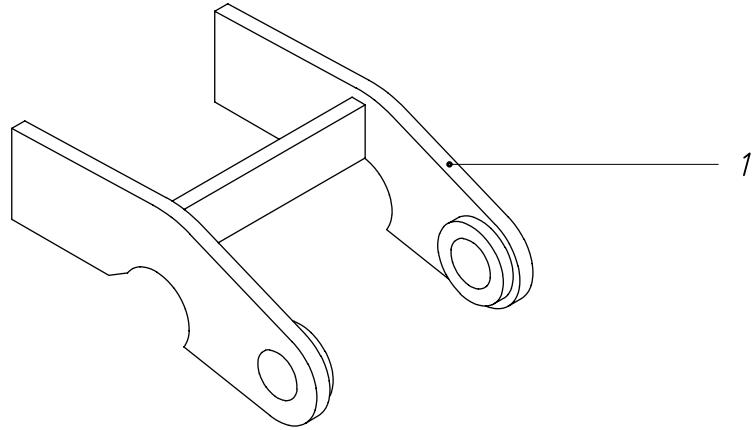



Grab suspension

CW-45

08/01

060.05.02



SERIAL/ITEM No. SQ571900 DEE 1&UP	STRUCTURAL COMPONENTS		TYPE	DATE	PAGE	
	Grab suspension		CW-45	08/01	060.05.02	

P O S	part number	description	Q T Y	remarks/dimensions
1	SQ6291A0	Grab suspension G01	1	
2	SQ6369A0	Grab suspension G02	1	
3	095-0948	Lubricating nipple	1	R1/8"-180°
4	174-1673	Bushing	4	50x60x50
	169-7186	Bushing	4	90x105x50
	370354	Bushing	4	70x80x50
	169-7187	Bushing	4	80x95x50
5	SQ5616A0	Grab suspension G03	1	

SERIAL/ITEM No.
SQ571900
DEE 1&UP

STRUCTURAL COMPONENTS

TYPE

DATE

PAGE



Mech. version with spindle

CW-45

08/01

070.05.00

