

QUICKCOUPLER
CONNECTOMAAT

TYPE: CW-05

serial number : AYK1&UP

Product information

Note: For product identification plate locations, see the section “Product Identification information” in the Operation and Maintenance Manual.

Delivery date _____

Product Information

Model: _____

Product identification Number: _____

Engine Serial Number: _____

Transmission Serial Number: _____

Generator Serial Number: _____

Attachment Serial Numbers: _____

Attachment Information: _____

Customer Equipment Number: _____

Dealer Equipment Number _____

Dealer Information

Name: _____ Branch: _____

Address: _____

Dealer Contact

Phone Number

Hours

sales: _____

Parts: _____

service: _____

PARTSBOOK

For a proper and save functioning, it is required to replace defective parts by original spare parts.

Repairing or welding parts is only allowed with written permission of your supplier.

In order to make sure the correct part is delivered on time, please state the following:

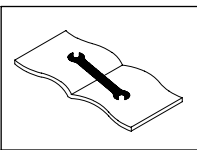
- type of equipment
- serial number
- position number
- part number
- quantity
- name and adress of customer

The first two items can also be found in the operating manual or the type label mounted on the product.

The instructions to use the product are given in the 'operating manual'. The delivery of the product also includes the operating manual.

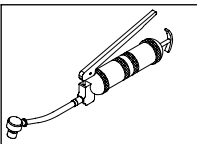
Always consult the operating manual when carrying out maintenance or repair jobs.

BETEKENIS VAN DE GEBRUIKTE SYMBOLEN / USE OF SYMBOLES



Bij vervangen van dit onderdeel zie gebruikershandleiding

Service indicator/read technical manual



Voor het smeren van onderdelen zie gebruikershandleiding

For lubrication see manual

SERIAL/ITEM No.
AYK1&UP

STRUCTURAL COMPONENTS

TYPE

DATE

PAGE

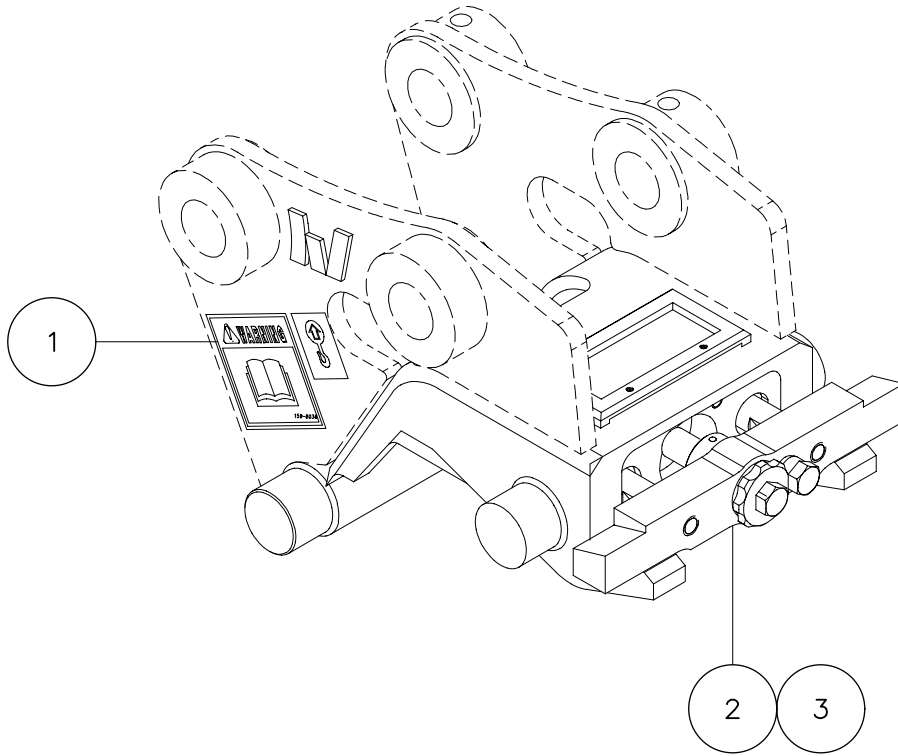



COUPLER AR-QUICK

CW-05

11/99

005.01.00



SERIAL/ITEM No. AYK1&UP									STRUCTURAL COMPONENTS	TYPE	DATE	PAGE	
									COUPLER AR-QUICK	CW-05	11/99	005.01.00	

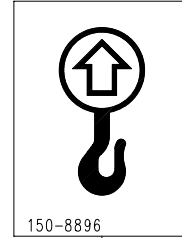
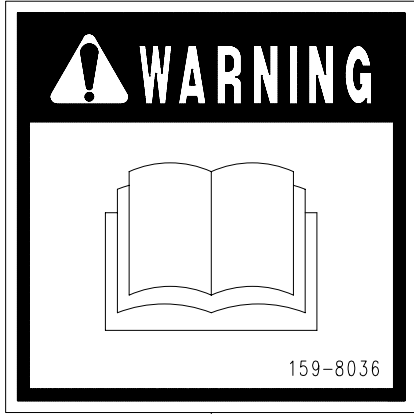
P O S	part number	description	Q T Y	remarks/dimensions
1	178-9949	LUBRICANT GP-PAINT&(A)	1	PAGE 010.01.01
2	172-8742	LOCK GP-HYDRAULIC	1	PAGE 050.01.00
3	172-8743	LOCK GP-SPINDLE	1	PAGE 060.01.00

LUBRICANT GP-PAINT& (A)

CW-05

11/99

010.01.01



5

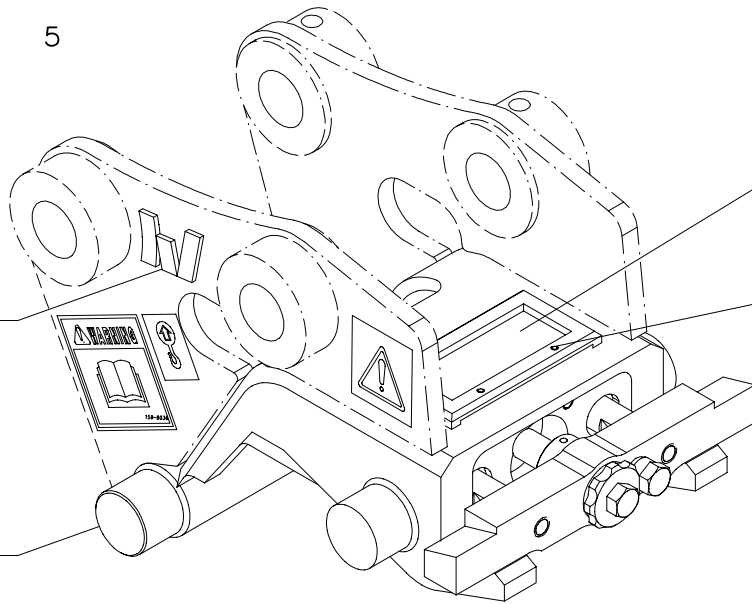
6


2

3

4

1



SERIAL/ITEM No. AYK1&UP									STRUCTURAL COMPONENTS	TYPE	DATE	PAGE	
									LUBRICANT GP-PAINT&(A)	CW-05	11/99	010.01.01	

P O S	part number	description	Q T Y	remarks/dimensions
1	3P-9066	LUBRICANT	1	
2	999600	LOGO	2	
3	999515	PLATE-SERIAL NUM	1	
4	136-0155	SETSCREW	2	
5	157-8036	FILM-WARNING	2	
6	150-8896	FILM-SYMBOL	2	

SERIAL/ITEM No.
AYK1&UP

STRUCTURAL COMPONENTS

TYPE

DATE

PAGE

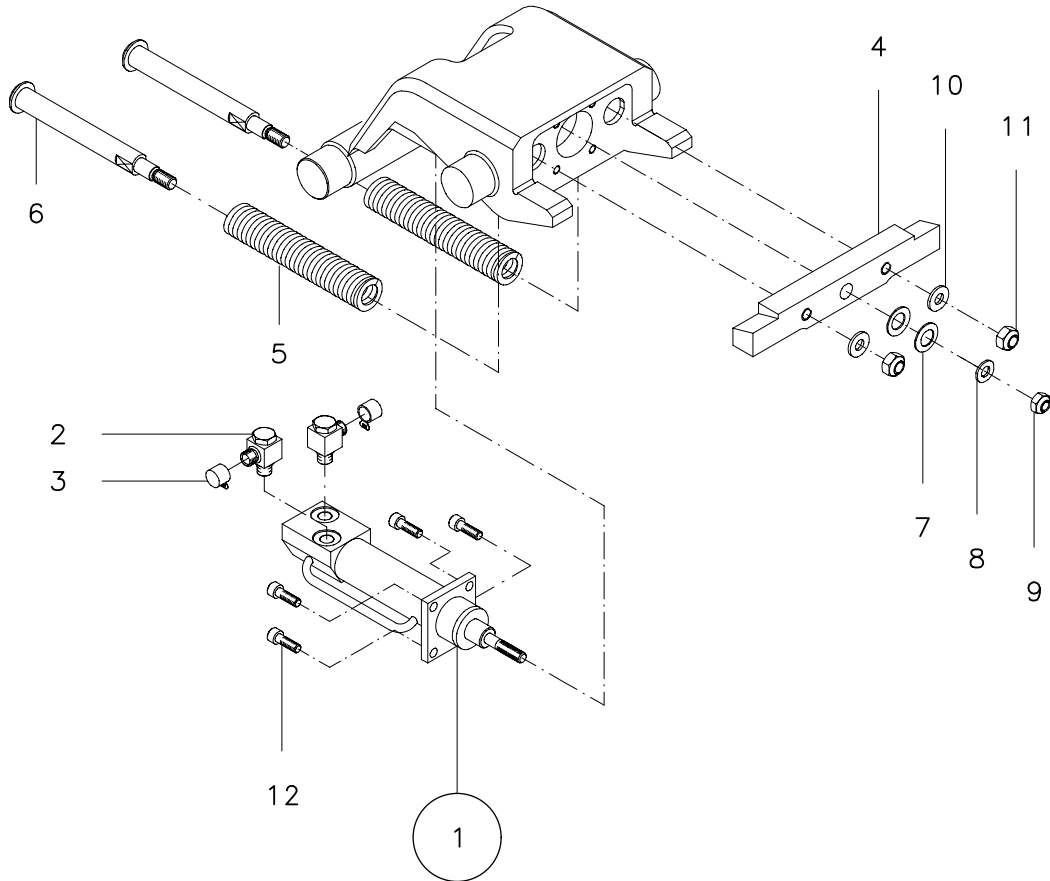
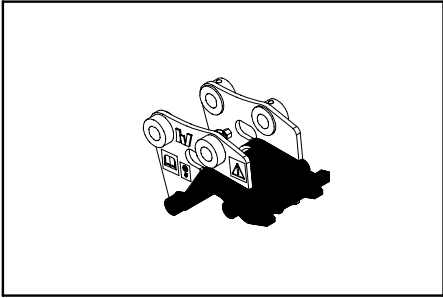



LOCK GP-HYDRAULIC

CW-05

06/99

050.01.00



SERIAL/ITEM No. AYK1&UP							STRUCTURAL COMPONENTS	TYPE	DATE	PAGE	
							LOCK GP-HYDRAULIC	CW-05	06/99	050.01.00	

P O S	part number	description	Q T Y	remarks/dimensions
1	183-9043	CYLINDER GP-HYDRAULIC	1	PAGE 055.01.00
2	183-9044	ELBOW SWIVEL	2	
3	9U-7122	CAP-TEAR	2	
4	183-9045	WEDGE	1	
5	183-9046	SPRING	2	
6	183-9047	SHAFT	2	
7	183-9048	SPRING-BELLEVILLE	2	
8	8T-4121	WASHER-HARD	1	
9	8T-0389	LOCKNUT	1	
10	8T-4223	WASHER-HARD	2	
11	129-3180	LOCKNUT	2	
12	5A-3604	BOLT-HEX SOCKET	4	

SERIAL/ITEM No.

AYK1&UP

STRUCTURAL COMPONENTS

TYPE

DATE

PAGE

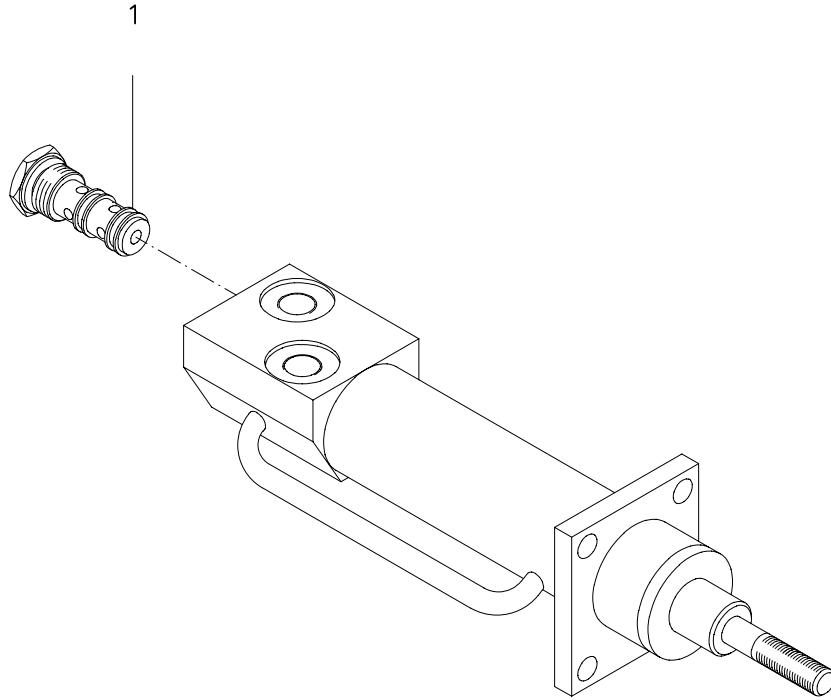
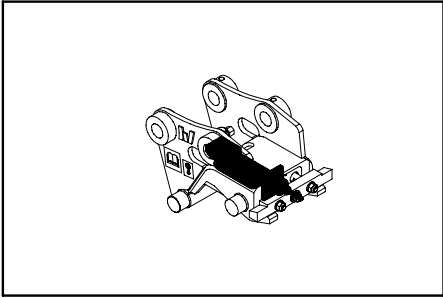



CYLINDER GP-HYDRAULIC

CW-05

06/99

055.01.00



SERIAL/ITEM No. AYK1&UP									STRUCTURAL COMPONENTS	TYPE	DATE	PAGE	
									CYLINDER GP-HYDRAULIC	CW-05	06/99	055.01.00	

P O S	part number	description	Q T Y	remarks/dimensions
1	169-3923	VALVE KIT	1	

--	--	--	--	--

SERIAL/ITEM No.
AYK1&UP

STRUCTURAL COMPONENTS

TYPE

DATE

PAGE

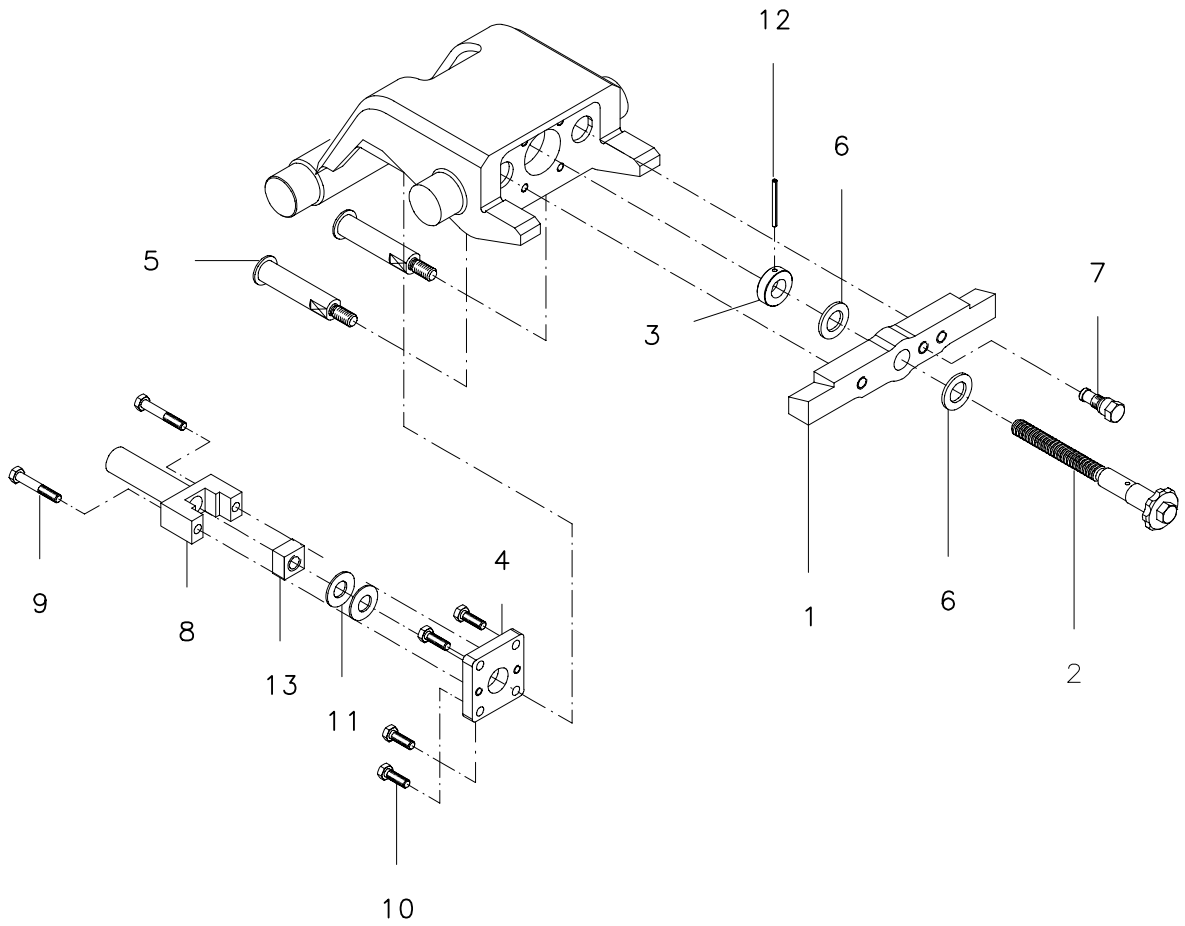
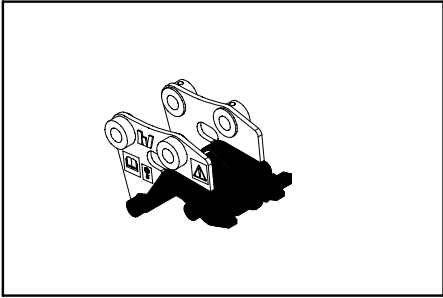



LOCK GP-SPINDLE

CW-05

06/99

060.01.00



SERIAL/ITEM No. AYK1&UP								STRUCTURAL COMPONENTS	TYPE	DATE	PAGE	
								LOCK GP-SPINDLE	CW-05	06/99	060.01.00	

P O S	part number	description	Q T Y	remarks/dimensions
1	175-1223	WEDGE	1	
2	175-1224	SPINDLE	1	
3	175-1225	RING	1	
4	175-1226	PLATE	1	
5	175-1227	SHAFT	2	
6	175-1228	RING	2	
7	175-1230	BOLT-LOCK-UP	1	
8	175-1231	SPINDLE AS-HSG	1	
9	8T-6912	BOLT M8X1.25	2	
10	8T-4908	BOLT M8X1.25	4	
11	175-1232	SPG-BELLEVILLE	5	
12	178-4532	PIN-SPRING	1	
13	178-4316	NUT TR16X4	1	