

**QUICKCOUPLER
CONNECTOMAAT**

TYPE: CW-70
ITEM No.: DEZ 1&UP

serial number :

your supplier :



Product information

Note: For product identification plate locations, see the section “Product Identification information” in the Operation and Maintenance Manual.

Delivery date _____

Product Information

Model: _____

Product identification Number: _____

Engine Serial Number: _____

Transmission Serial Number: _____

Generator Serial Number: _____

Attachment Serial Numbers: _____

Attachment Information: _____

Customer Equipment Number: _____

Dealer Equipment Number _____

Dealer Information

Name: _____ Branch: _____

Address: _____

Dealer Contact

Phone Number

Hours

sales: _____

Parts: _____

service: _____

PARTSBOOK

For a proper and save functioning, it is required to replace defective parts by original spare parts.

Repairing or welding parts is only allowed with written permission of your supplier.

In order to make sure the correct part is delivered on time, please state the following:

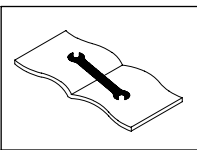
- type of equipment
- serial number
- position number
- part number
- quantity
- name and adress of customer

The first two items can also be found in the operating manual or the type label mounted on the product.

The instructions to use the product are given in the 'operating manual'. The delivery of the product also includes the operating manual.

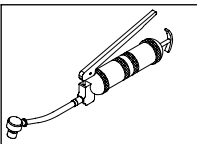
Always consult the operating manual when carrying out maintenance or repair jobs.

BETEKENIS VAN DE GEBRUIKTE SYMBOLEN / USE OF SYMBOLES



Bij vervangen van dit onderdeel zie gebruikershandleiding

Service indicator/read technical manual



Voor het smeren van onderdelen zie gebruikershandleiding

For lubrication see manual

SERIAL No.

SQ576300

DEZ 1&UP

STRUCTURAL COMPONENTS

TYPE

DATE

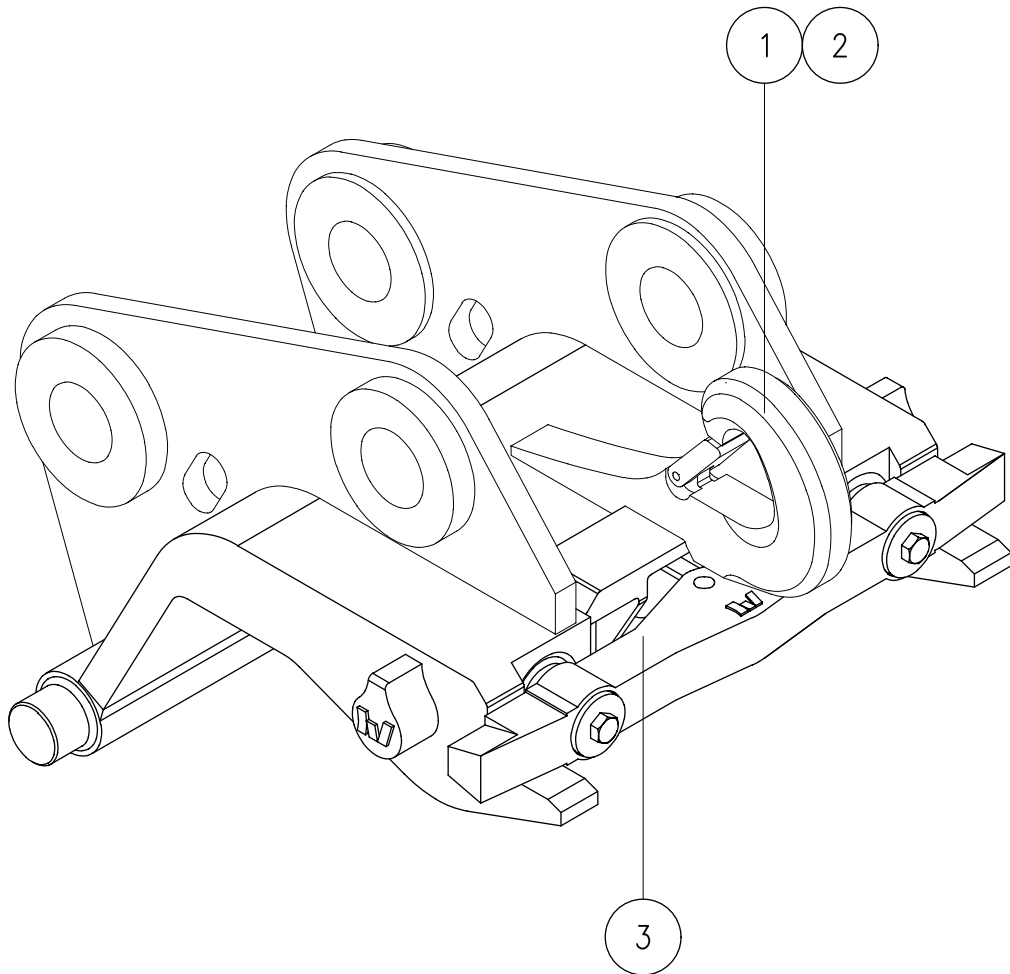
PAGE


Connect'O'maat

CW-70

08/01

010.09.01



SERIAL/ITEM No. SQ576300 DEZ 1&UP	STRUCTURAL COMPONENTS		TYPE	DATE	PAGE	
	Connect'O'maat		CW-70	08/01	010.09.01	

P O S	part number	description	Q T Y	remarks/dimensions
1	SQ558700	Lifting yoke (option)	1	Page 020.09.01
2	173-9958	Hoisting hook (option)	1	Page 021.09.01
3	169-0762	Hydraulic version	1	Page 030.09.01
		Grab suspension (option)	1	

SERIAL No.
SQ576300
DEZ 1&UP

STRUCTURAL COMPONENTS

TYPE

DATE

PAGE

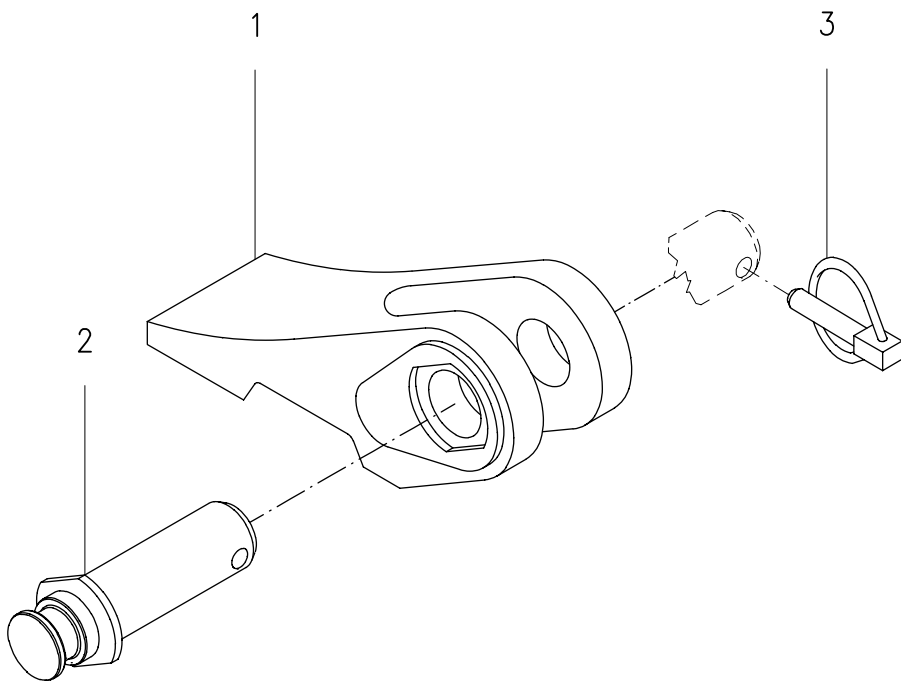
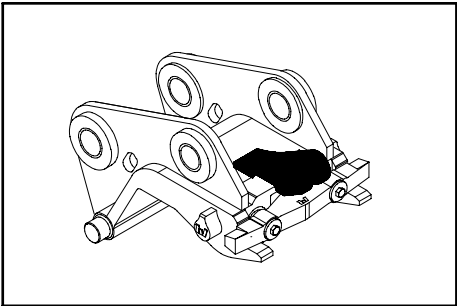



Lifting yoke

CW-70

08/01

020.09.01



SERIAL/ITEM No. SQ576300 DEZ 1&UP	STRUCTURAL COMPONENTS		TYPE	DATE	PAGE	
	Lifting yoke		CW-70	08/01	020.09.01	

P O S	part number	description	Q T Y	remarks/dimensions
1	SQ566600	Block	1	
2	SQ566000	Pin	1	
3	41030000	Clip	1	

SERIAL No.

SQ576300

DEZ 1&UP

STRUCTURAL COMPONENTS

TYPE

DATE

PAGE

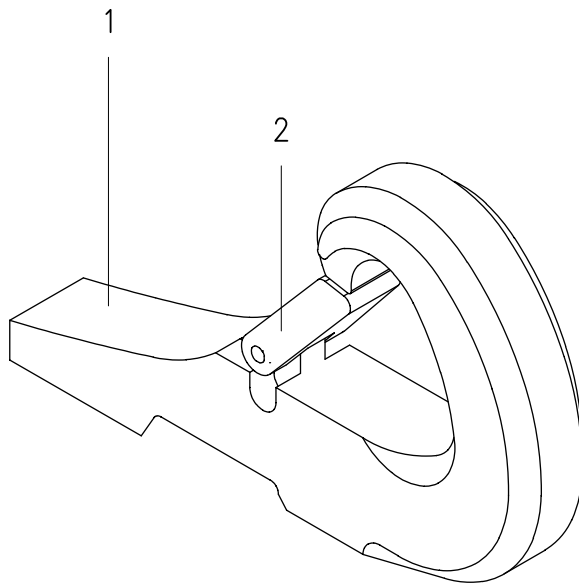
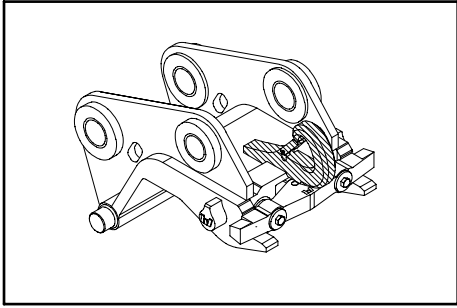



Hoisting hook

CW-70

08/01

021.09.01



SERIAL/ITEM No. SQ576300 DEZ 1&UP	STRUCTURAL COMPONENTS		TYPE	DATE	PAGE	
	Hoisting hook		CW-70	08/01	021.09.01	

P O S	part number	description	Q T Y	remarks/dimensions
1	VQ578801	Block	1	
2	173-9971	Clip complete	1	

SERIAL/ITEM No.
SQ576300
DEZ 1&UP

STRUCTURAL COMPONENTS

TYPE

DATE

PAGE

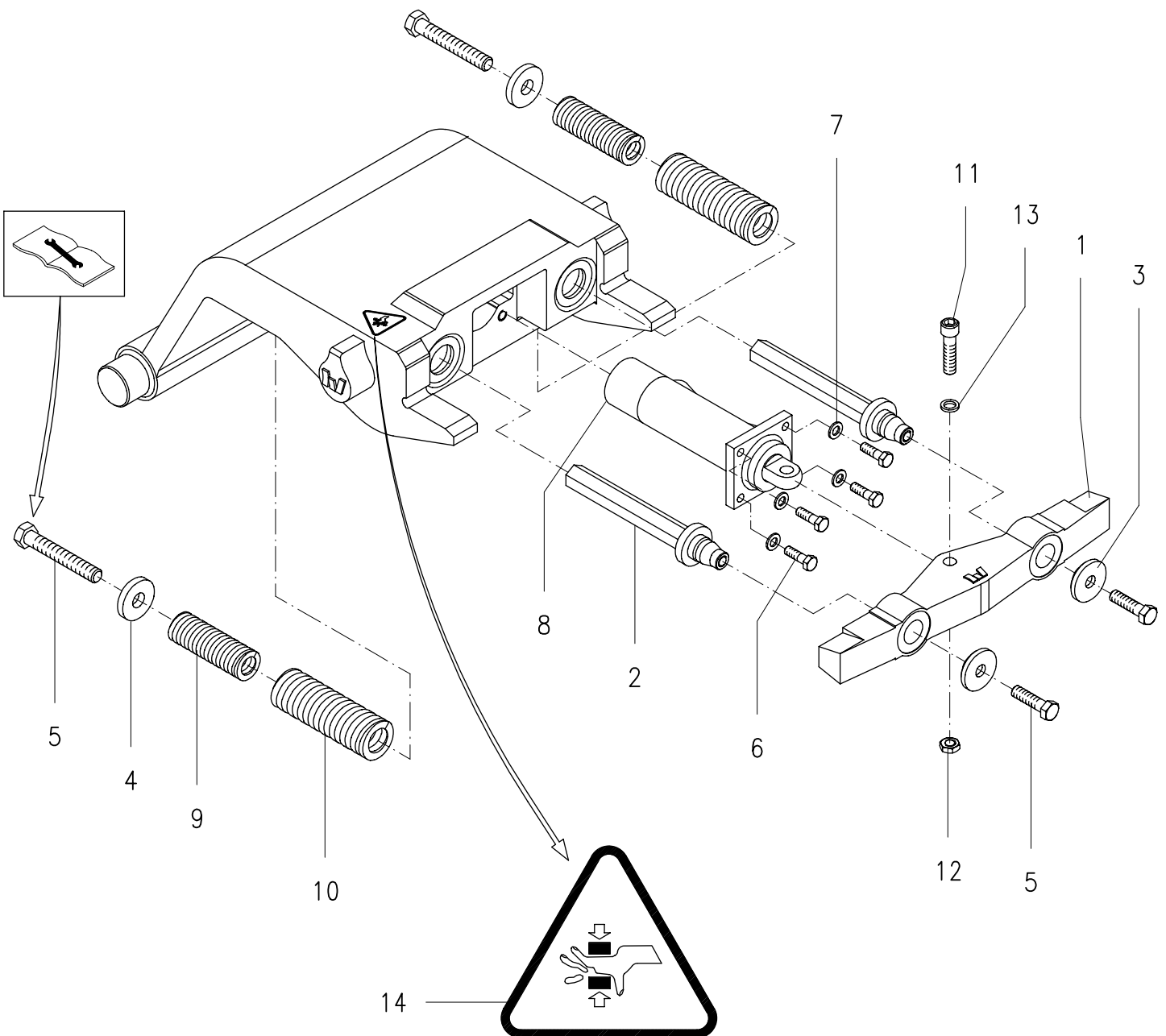
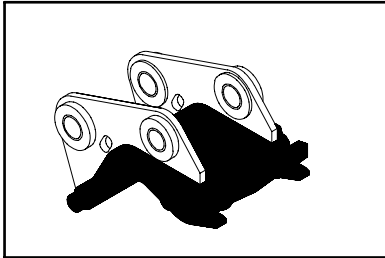



HYDRAULIC VERSION

CW-70

08/01

030.09.01



SERIAL/ITEM No. SQ576300 DEZ 1&UP	STRUCTURAL COMPONENTS		TYPE	DATE	PAGE	
	Hydraulic version		CW-70	08/01	030.09.01	

POS	part number	description	QTY	remarks/dimensions
1	169-0766	Wedge	1	
2	169-0768	Shaft	2	
3	169-0774	Ring	2	
4	169-0775	Ring	2	
5	152-0191	Bolt	4	M24x120 10.9
6	8T-4140	Bolt	4	M16x60 10.9
7	9X-8257	Washer	4	M16 DIN 125-A
8	169-0776	Cylinder	1	
9	169-0777	Spring	2	
10	169-0778	Spring	2	
11	8C-8478	Bolt	1	M20x140 10.9
12	098-6004	Nut	2	M20 10 DIN 439
13	8T-4123	Washer	2	M20 DIN 125-A
14	999002	Sticker 'hands out'	2	