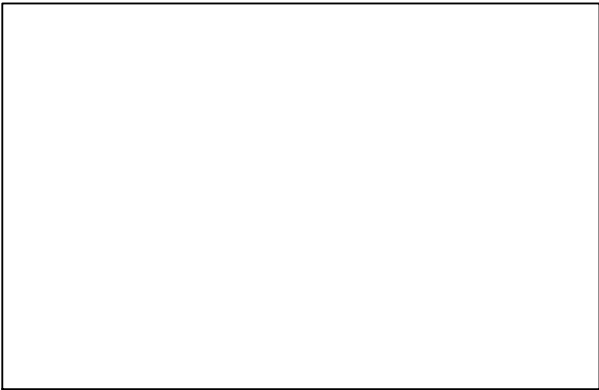


**QUICKCOUPLER
SYSTEM 2000**

TYPE: SW.2007/8-H
ITEM No.: SQ05330B

serial number :

your supplier :



Product information

Note: For product identification plate locations, see the section “Product Identification information” in the Operation and Maintenance Manual.

Delivery date _____

Product Information

Model: _____

Product identification Number: _____

Engine Serial Number: _____

Transmission Serial Number: _____

Generator Serial Number: _____

Attachment Serial Numbers: _____

Attachment Information: _____

Customer Equipment Number: _____

Dealer Equipment Number _____

Dealer Information

Name: _____ Branch: _____

Address: _____

Dealer Contact

Phone Number

Hours

sales: _____

Parts: _____

service: _____

PARTSBOOK

For a proper and save functioning, it is required to replace defective parts by original spare parts.

Repairing or welding parts is only allowed with written permission of your supplier.

In order to make sure the correct part is delivered on time, please state the following:

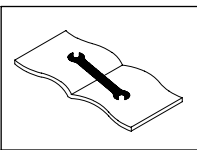
- type of equipment
- serial number
- position number
- part number
- quantity
- name and adress of customer

The first two items can also be found in the operating manual or the type label mounted on the product.

The instructions to use the product are given in the 'operating manual'. The delivery of the product also includes the operating manual.

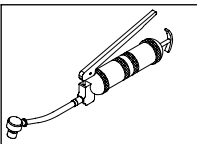
Always consult the operating manual when carrying out maintenance or repair jobs.

BETEKENIS VAN DE GEBRUIKTE SYMBOLEN / USE OF SYMBOLES



Bij vervangen van dit onderdeel zie gebruikershandleiding

Service indicator/read technical manual



Voor het smeren van onderdelen zie gebruikershandleiding

For lubrication see manual

SERIAL/ITEM No.
SQ05330B

STRUCTURAL COMPONENTS

TYPE

DATE

PAGE

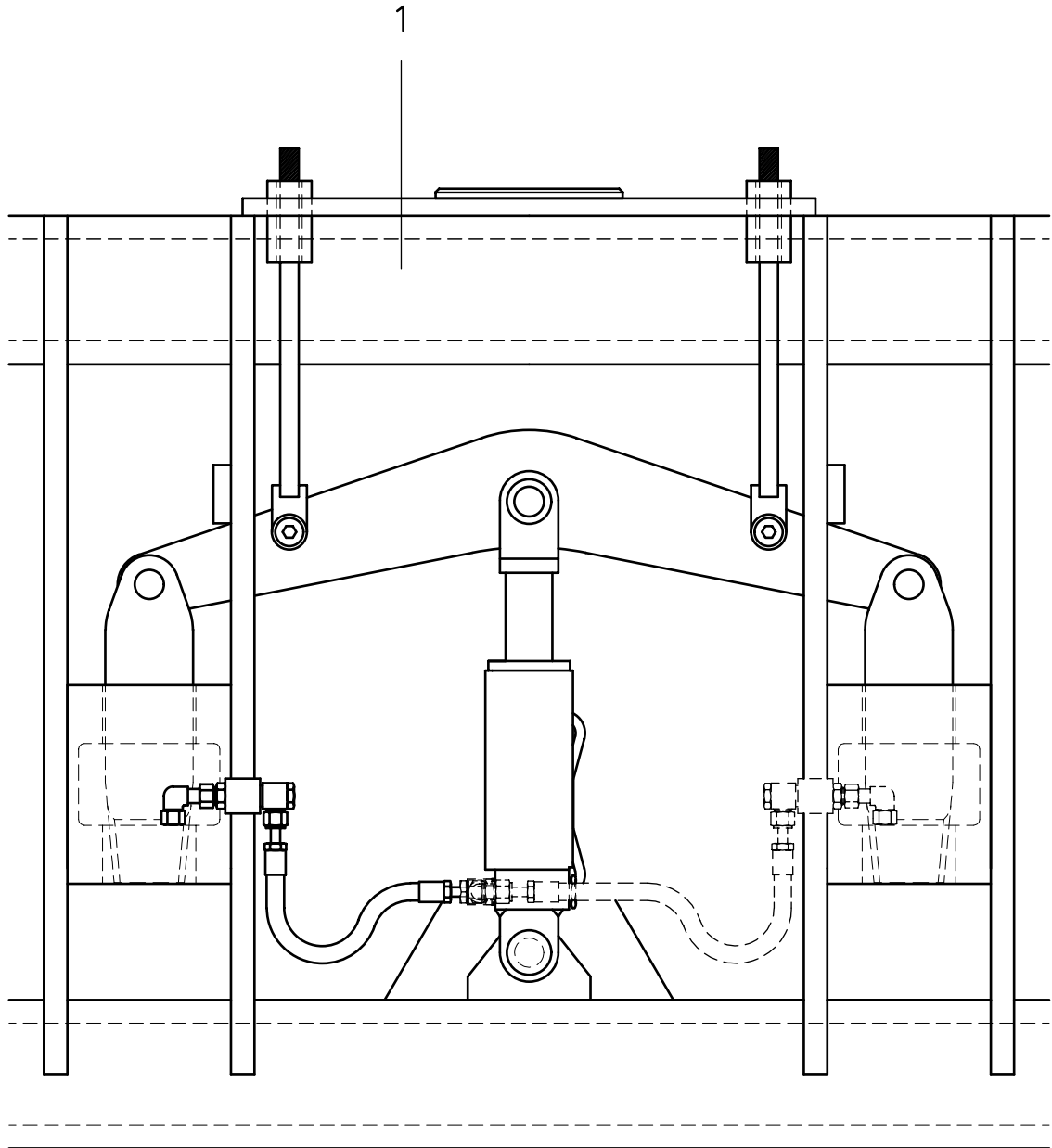



SYSTEM 2000 QUICK COUPLER

SW.2007/8

12/00

005.03.03



SERIAL/ITEM No. SQ05330B								STRUCTURAL COMPONENTS	TYPE	DATE	PAGE	
								SYSTEM 2000 QUICK COUPLER	SW.2007/8	12/00	005.03.03	

P O S	part number	description	Q T Y	remarks/dimensions
1	SQ05330B	SW. 2007/8 STANDARD	1	PAGE 010.03.03
		SW. 2007/8 OPTION	1	PAGE 015.03.03

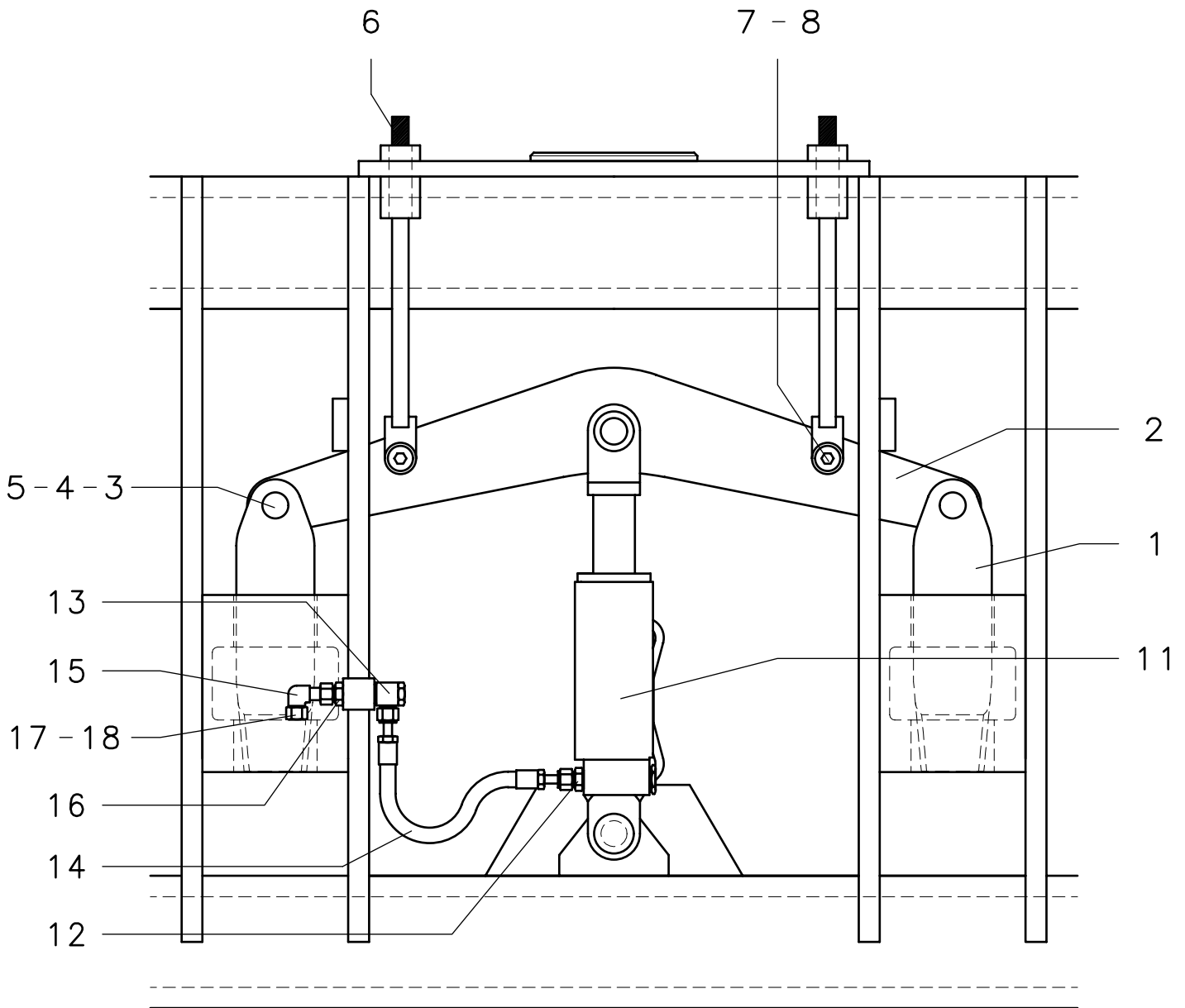


SW.2007/8 STANDARD

SW.2007/8

12/00

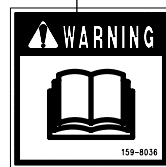
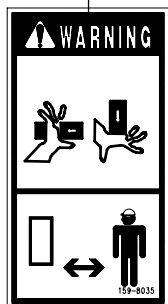
010.03.03

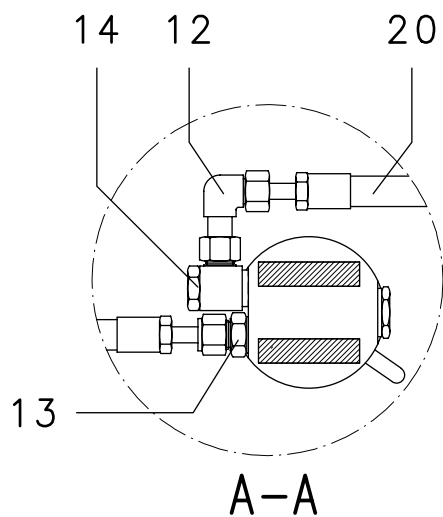
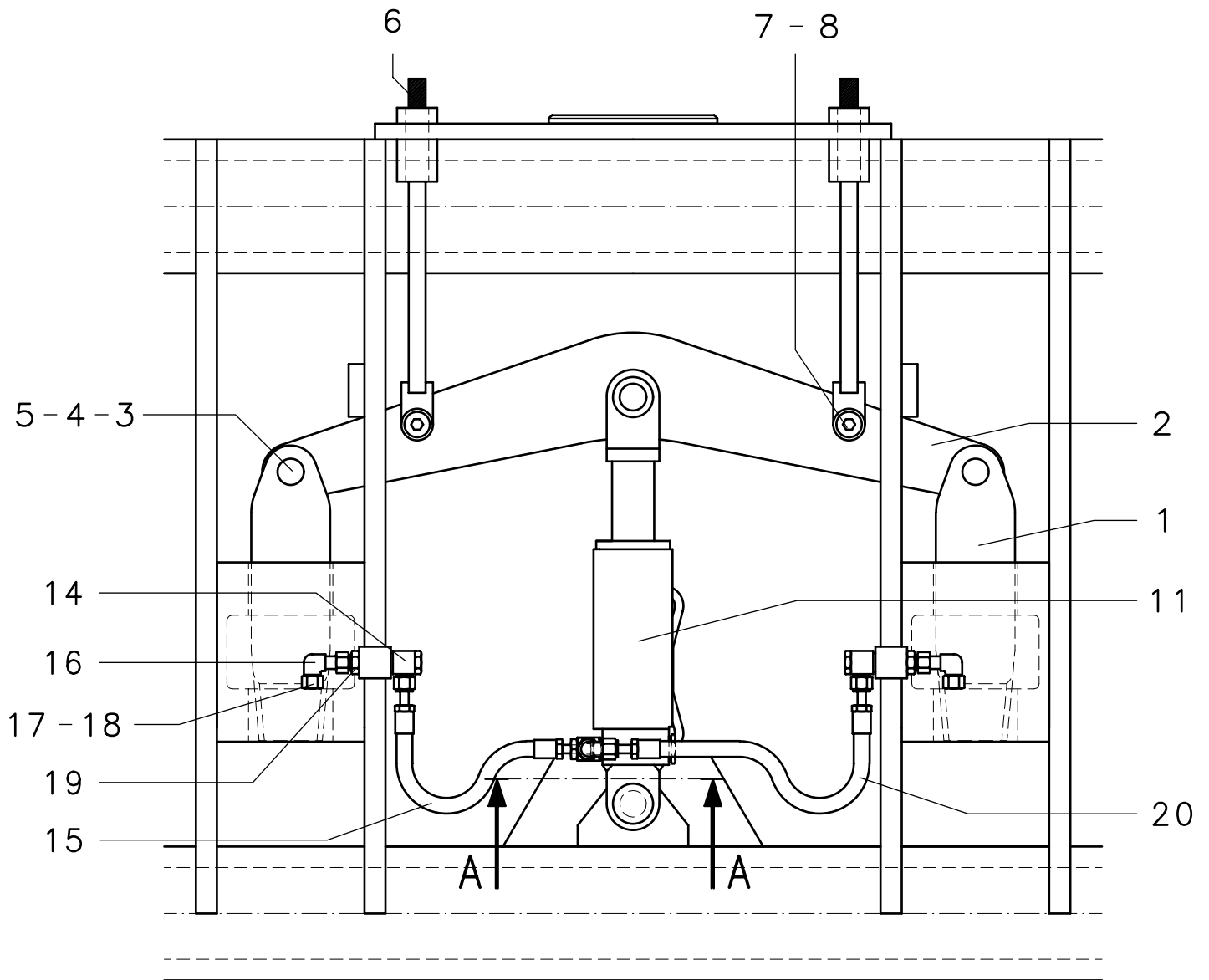


9

10

19





SERIAL/ITEM No.
SQ05330B

STRUCTURAL COMPONENTS

TYPE

DATE

PAGE

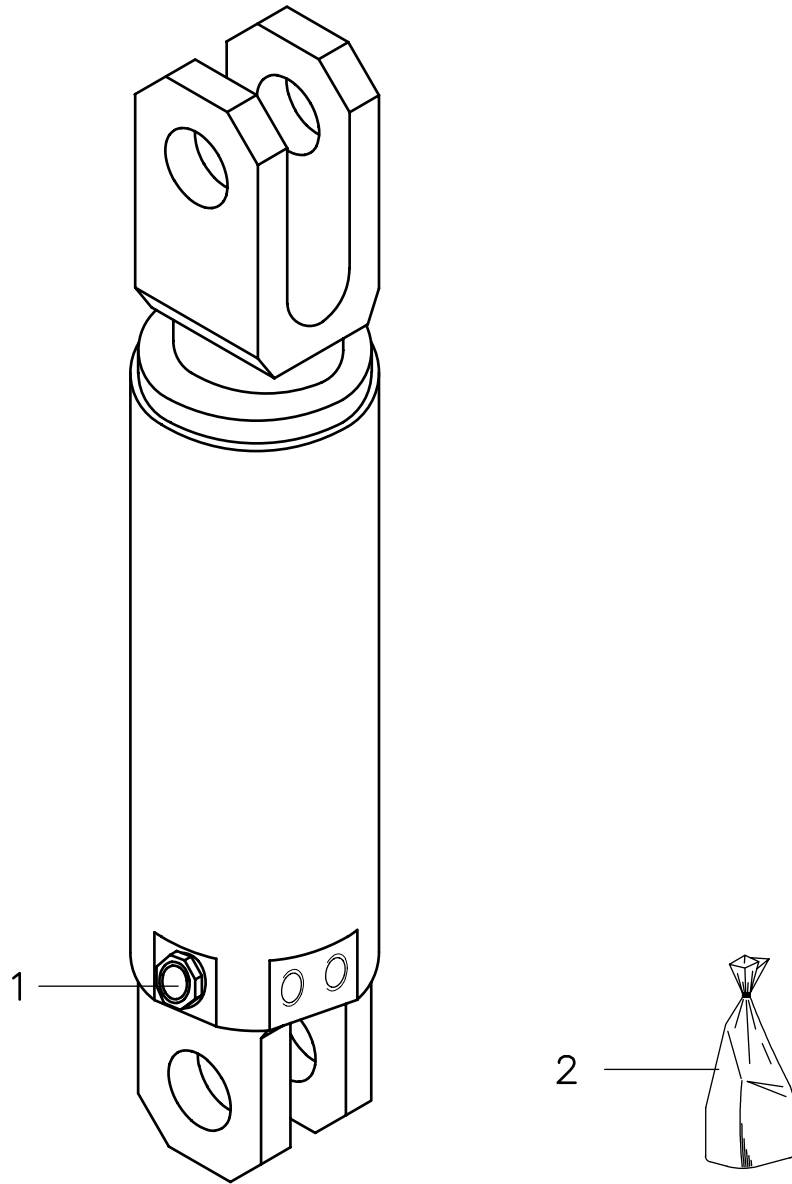



CYLINDER

SW.2007/8

12/00

020.03.03



SERIAL/ITEM No. SQ05330B								STRUCTURAL COMPONENTS	TYPE	DATE	PAGE	
								CYLINDER	SW.2007/8	12/00	020.03.03	

P O S	part number	description	Q T Y	remarks/dimensions
1	169-3923	CHECK VALVE	1	
2	202-7897	SEAL SET	1	