

HYDRAULIC  
PULVERIZER  
TYPE: VHP-60  
FROM SERIAL/ITEM No.: SS702000

serial number : .....

your supplier :



# PARTSBOOK

For a proper and save functioning, it is required to replace defective parts by original spare parts.

Repairing or welding parts is only allowed with written permission of your supplier.

In order to make sure the correct part is delivered on time, please state the following:

- type of equipment
- serial number
- position number
- part number
- quantity
- name and adress of customer

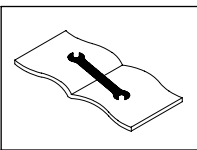
The first two items can also be found in the operating manual or the type label mounted on the product.

The instructions to use the product are given in the 'operating manual'. The delivery of the product also includes the operating manual.

Always consult the operating manual when carrying out maintenance or repair jobs.

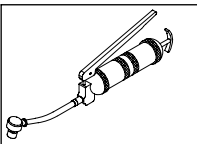
---

## BETEKENIS VAN DE GEBRUIKTE SYMBOLEN / USE OF SYMBOLES



Bij vervangen van dit onderdeel zie gebruikershandleiding

Service indicator/read technical manual



Voor het smeren van onderdelen zie gebruikershandleiding

For lubrication see manual

---

# Product information

Note: For product identification plate locations, see the section “Product Identification information” in the Operation and Maintenance Manual.

Delivery date \_\_\_\_\_

## Product Information

Model: \_\_\_\_\_

Product identification Number: \_\_\_\_\_

Engine Serial Number: \_\_\_\_\_

Transmission Serial Number: \_\_\_\_\_

Generator Serial Number: \_\_\_\_\_

Attachment Serial Numbers: \_\_\_\_\_

Attachment Information: \_\_\_\_\_

Customer Equipment Number: \_\_\_\_\_

Dealer Equipment Number \_\_\_\_\_

## Dealer Information

Name: \_\_\_\_\_ Branch: \_\_\_\_\_

Address: \_\_\_\_\_

\_\_\_\_\_

\_\_\_\_\_

Dealer Contact

Phone Number

Hours

sales: \_\_\_\_\_

Parts: \_\_\_\_\_

service: \_\_\_\_\_

SERIAL/ITEM No.  
SS702000

STRUCTURAL COMPONENTS

TYPE

DATE

PAGE

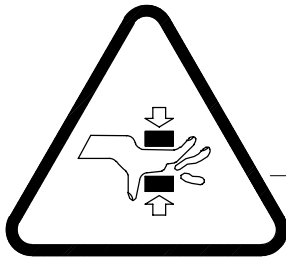


HYDRAULIC PULVERIZER

VHP-60

09/01

005.06.00

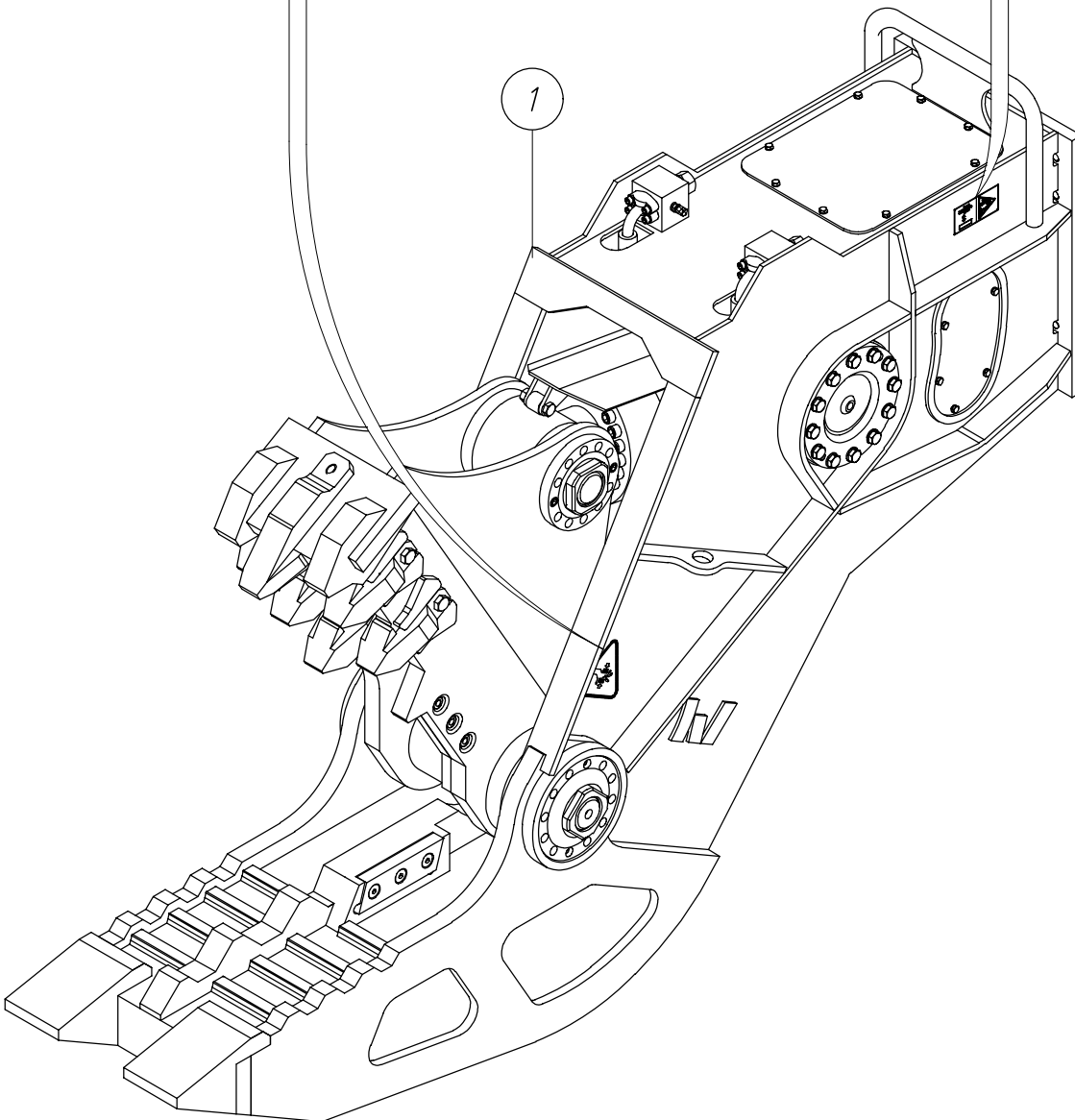



3



2

1



SERIAL/ITEM No. SS702000									STRUCTURAL COMPONENTS	TYPE	DATE	PAGE	
									HYDRAULIC PULVERIZER	VHP-60	09/01	005.06.00	

P O S	part number	description	Q T Y	remarks/dimensions
1	SS702000	Hydraulic pulverizer	1	page 010.06.00
2	999003	Sticker 'Keep distance'	2	
3	999001	Sticker 'Hands out'	2	

SERIAL/ITEM No.  
SS702000

STRUCTURAL COMPONENTS

TYPE

DATE

PAGE

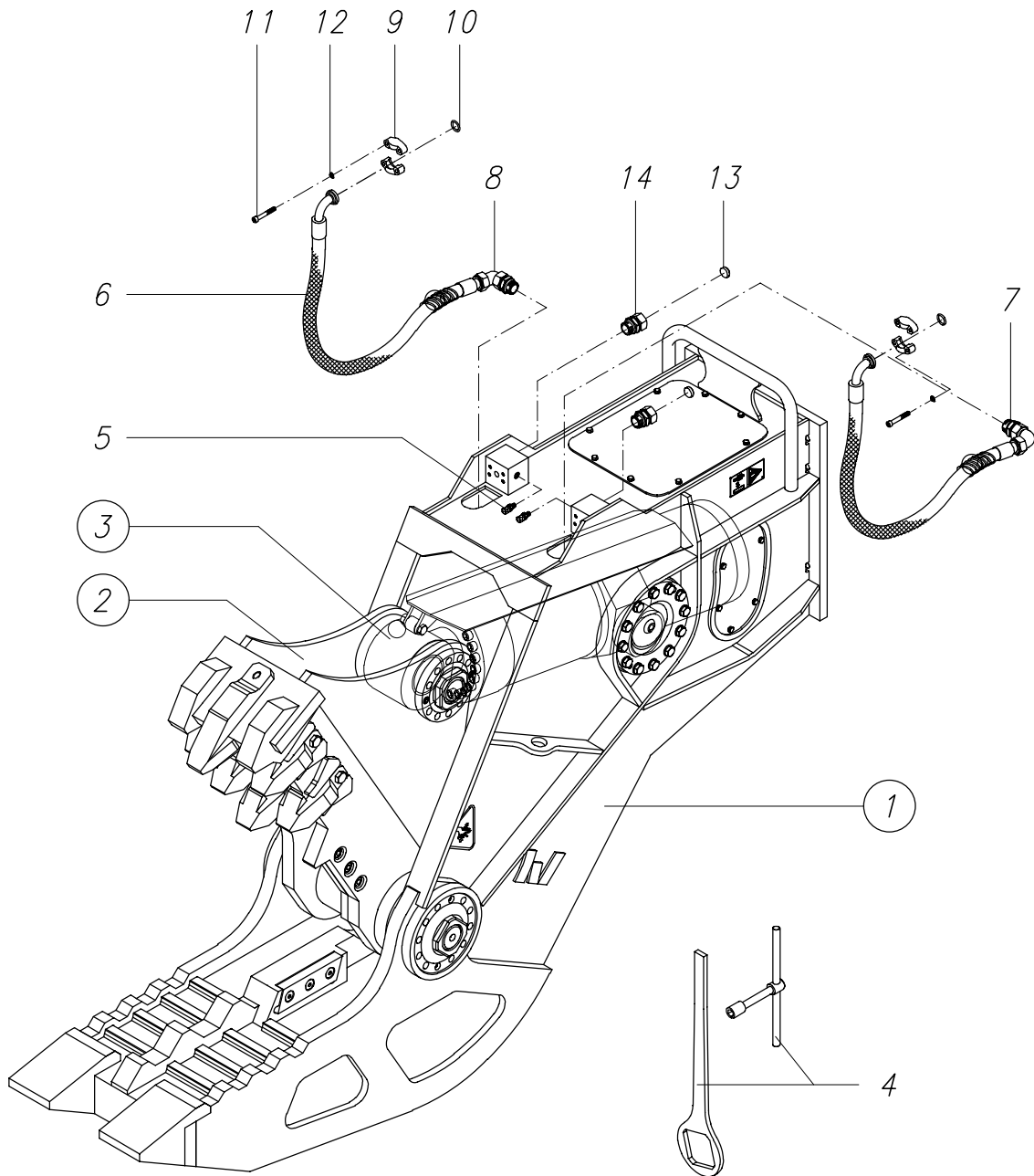



HYDRAULIC PULVERIZER

VHP-60

09/01

010.06.00



SERIAL/ITEM No. SS702000	STRUCTURAL COMPONENTS										TYPE	DATE	PAGE	
	HYDRAULIC PULVERIZER										VHP-60	09/01	010.06.00	

P O S	part number	description	Q T Y	remarks/dimensions
1	SS702100	Base frame	1	Page 020.06.00
2	SS702300	Jaw	1	Page 030.06.00
3	187-2962	Cylinder assy	1	Page 040.06.00
4	SS705500	Maintenance kit	1	
5	144-5188	Coupling	2	
6	37612011	Hose	2	
7	H038347	Coupling	1	
8	H038746	Coupling	1	
9	2T-3000	Splitflange	4	
10	4J-0524	O-ring	2	
11	225353	Bolt	8	M16x50 8.8
12	159-1121	Lock washer	8	M16
13	H029178	Plug	2	
14	H039860	Coupling	2	

SERIAL/ITEM No.  
SS702000

STRUCTURAL COMPONENTS

TYPE

DATE

PAGE

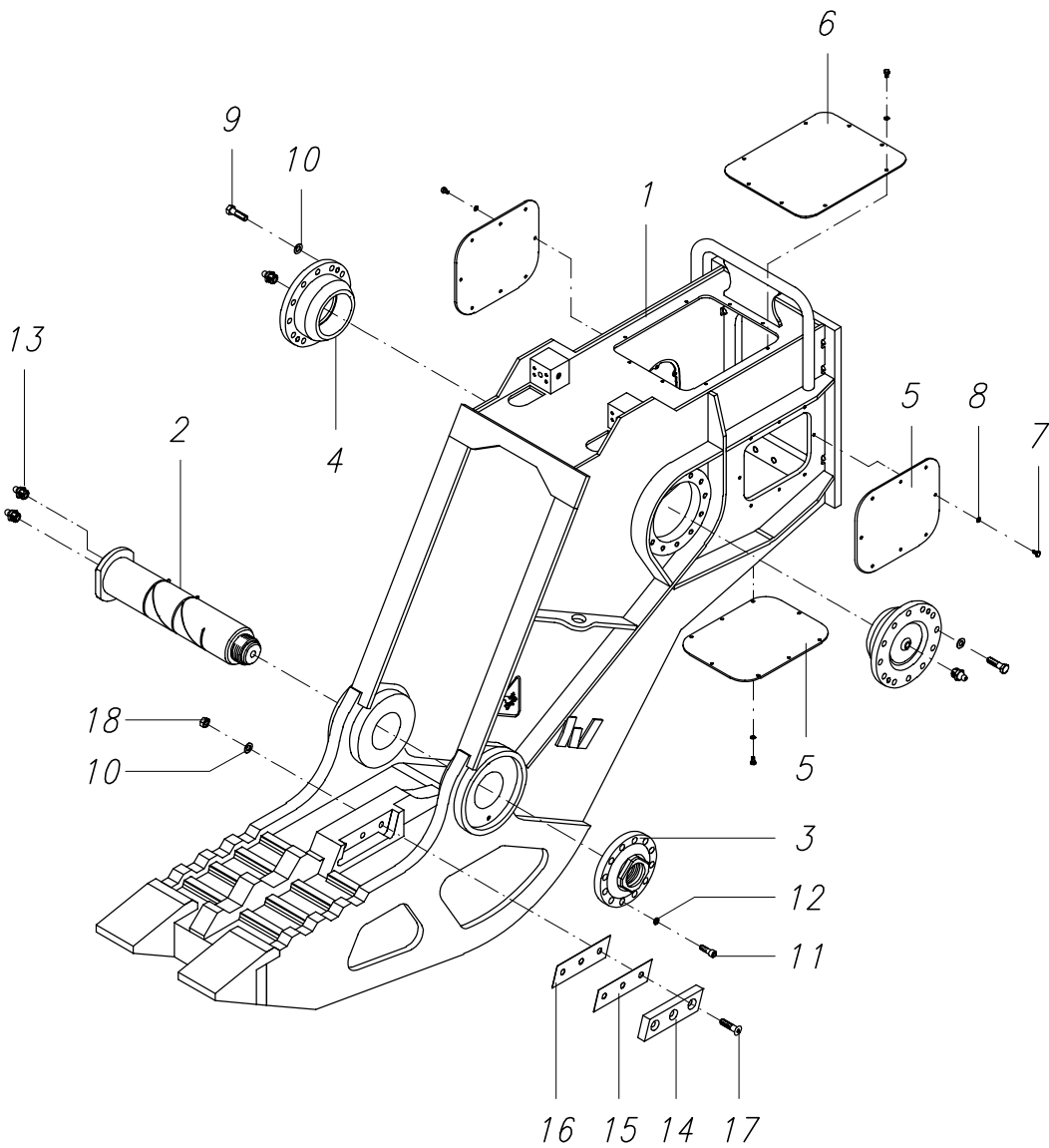
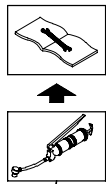
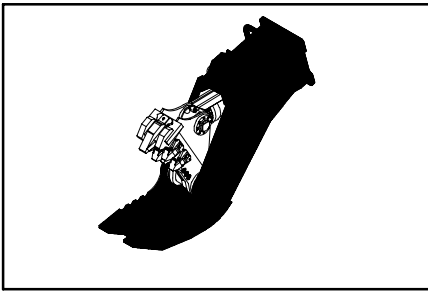



BASE FRAME

VHP-60

09/01

020.06.00



SERIAL/ITEM No. SS702000	STRUCTURAL COMPONENTS	TYPE	DATE	PAGE	
		BASE FRAME	VHP-60	09/01	

P O S	part number	description	Q T Y	remarks/dimensions
1	SS702100	Base frame	1	
2	VS436106	Axle	1	
3	195-0788	Lock nut	1	
4	172-1109	Bush	2	
5	195-0793	Cover	3	
6	63100237	Cover	1	
7	8T-4137	Bolt	28	M10x20 10.9
8	159-1118	Lock washer	28	M10 DIN 127-B
9	200331	Bolt	24	M20x70 8.8
10	8T-4123	Washer	27	M20 DIN 125-B
11	225353	Bolt	2	M16x50 8.8
12	159-1121	Lock washer	2	M16 DIN 7980
13	5W-2817	Lubricating nipple	5	M10 DIN 71412
14	172-5931	Blade	1	
15	172-5933	Shim	3	250x100x1
16	172-5932	Shim	2	250x100x1.5
17	144-2698	Bolt	3	M20x90 10.9
18	8T-4131	Nut	3	M20 DIN 6916

SERIAL/ITEM No.  
SS702000

STRUCTURAL COMPONENTS

TYPE

DATE

PAGE

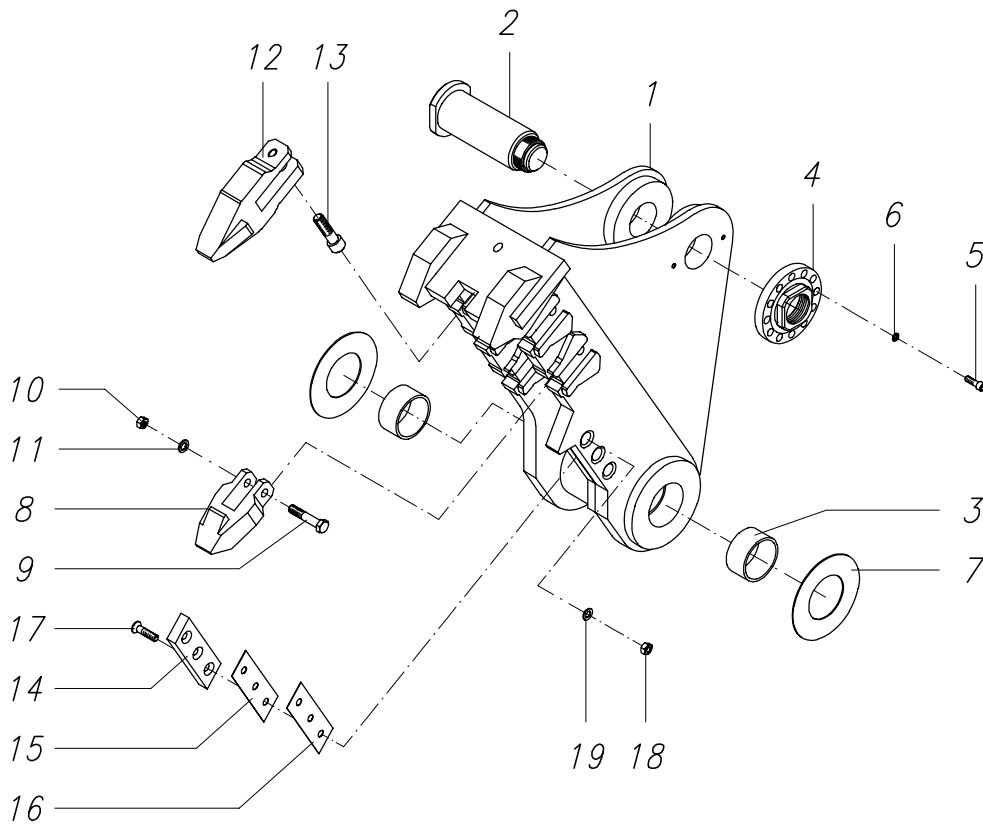
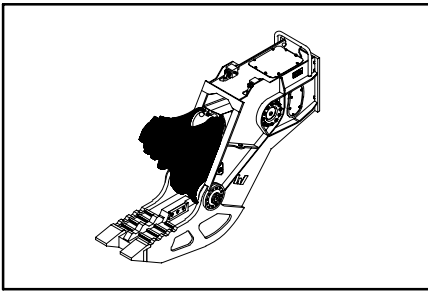



JAW

VHP-60

09/01

030.06.00



SERIAL/ITEM No. SS702000	STRUCTURAL COMPONENTS				TYPE	DATE	PAGE	
	JAW				VHP-60	09/01	030.06.00	

P O S	part number	description	Q T Y	remarks/dimensions
1	SS702300	Jaw	1	
2	172-1107	Axle	1	
3	172-3723	Bush	2	170x195x90
4	169-8909	Lock nut	1	
5	225353	Bolt	2	M16x50 DIN 912
6	159-1121	Lock washer	2	M16 DIN 7980
7	SS573800	Shim set	1	
8	169-4642	Tooth	5	
9	7X-2584	Bolt	5	M30x140 10.9
10	246300	Nut	5	M30 DIN 934
11	290065	Lock Washer	5	M30 DIN 127-B
12	173-1692	Ripper tooth	1	
13	174-6481	Bolt	2	M30x120 10.9
14	172-5931	Blade	1	
15	172-5933	Shim	3	250x100x1
16	172-5932	Shim	2	250x100x1.5
17	144-3087	Bolt	3	M20x120 10.9
18	8T-4131	Nut	3	M20 DIN 934
19	8T-4123	Washer	3	M20 DIN 6916

SERIAL/ITEM No.  
SS702000

STRUCTURAL COMPONENTS

TYPE

DATE

PAGE

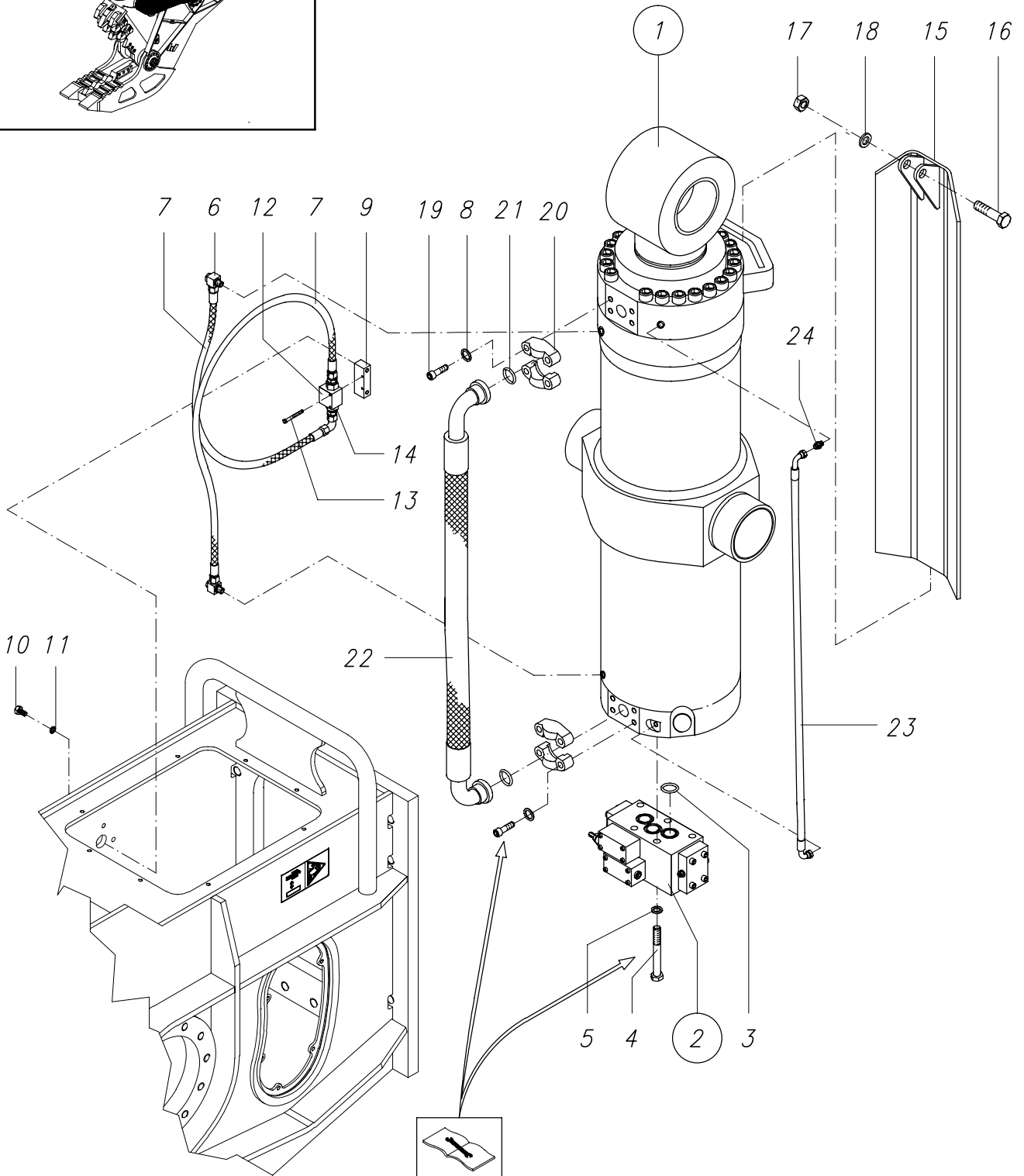
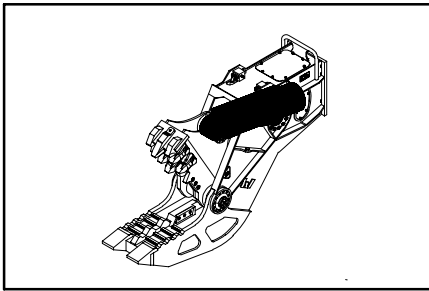



CYLINDER ASSY

VHP-60

09/01

040.06.00



SERIAL/ITEM No. SS702000	STRUCTURAL COMPONENTS										TYPE	DATE	PAGE	
	CYLINDER ASSY										VHP-60	09/01	040.06.00	

P O S	part number	description	Q T Y	remarks/dimensions
1	187-2978	Cylinder GP-0280-1000	1	Page 050.06.00
2	172-2207	Differential valve	1	Page 060.06.00
3	4J-0524	O-ring	3	
4	226488	Bolt	5	M20x140 10.9
5	8T-4123	Washer	5	M20
6	H028868	Coupling	2	
7	37206044	Hose	2	
8	9X-8257	Washer	8	M16
9	170-5594	Mounting strip	1	
10	205352	Bolt	2	M10x30 8.8
11	159-1118	Lock washer	2	M10 DIN 127B
12	170-5593	Ball valve (2-way)	1	
13	8T-0638	Bolt	2	M5x50 8.8
14	H138340	Coupling	2	
15	187-2960	Protection cover	1	
16	200333	Bolt	1	M20x80 8.8
17	8T-4131	Nut	1	M20
18	145-4078	Lock washer	1	M20
19	8T-2393	Bolt	8	M16x60 12.9
20	5P-8077	Splitflange	4	
21	1P-3705	O-ring	2	
22	187-2985	Hose	1	
23	187-2984	Hose	1	
24	170-5121	Adapter	1	

SERIAL/ITEM No.  
SS702000

STRUCTURAL COMPONENTS

TYPE

DATE

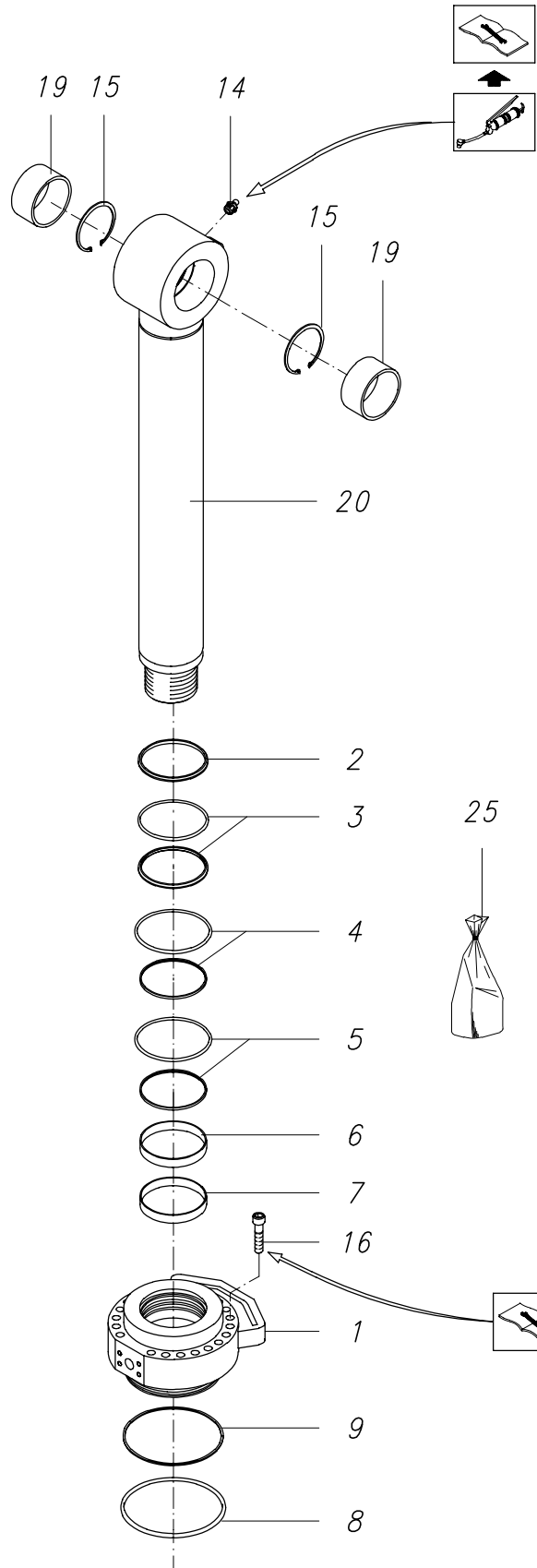
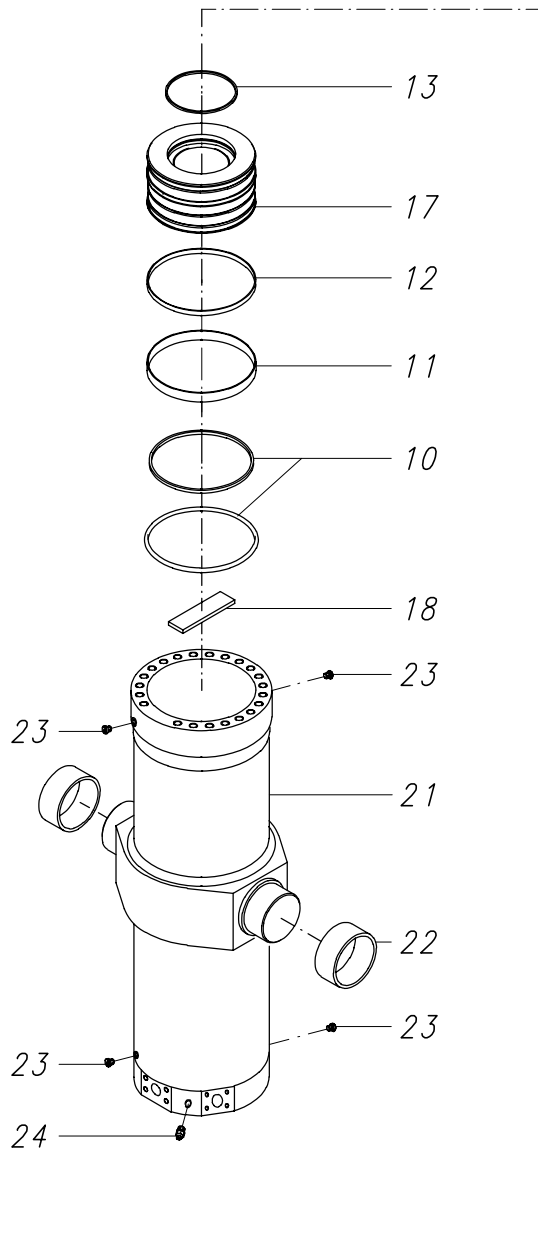
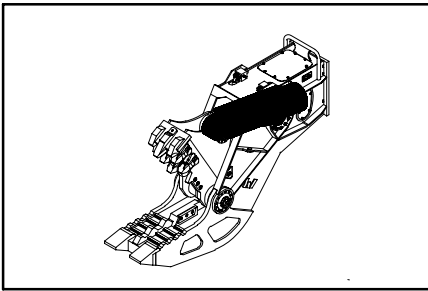
PAGE


CYLINDER

VHP-60

09/01

050.06.00



SERIAL/ITEM No. SS702000	STRUCTURAL COMPONENTS				TYPE	DATE	PAGE	
	CYLINDER				VHP-60	09/01	050.06.00	

P O S	part number	description	Q T Y	remarks/dimensions
1	174-7757	Guiding nut	1	
2	175-5080	Scraper	1	
3	175-5081	Scraper	1	
4	175-5083	Seal	1	
5	175-5082	Seal	1	
6	175-5084	Guide ring	4	
7	175-5085	Guide ring	1	
8	175-5086	O-ring	1	
9	175-6217	Backupring	1	
10	175-5087	Seal	1	
11	175-5089	Seal	3	
12	175-5090	Seal	2	
13	175-5088	O-ring	1	
14	095-0948	Lubricating nipple	1	R1/8"
15	175-6695	Ring	2	
16	175-6608	Bolt	22	M20x110 DIN 912
17	174-7755	Piston	1	
18	175-5180	Plate	1	
19	169-4641	Bush	2	
20	196-4307	Pistonrod	1	
21	196-4306	Cylinderbody	1	
22	175-6251	Bush	2	
23	170-5123	Screw plug	4	
24	200-4076	Check valve	1	
25	175-6581	Seal set	1	

SERIAL/ITEM No.  
SS702000

STRUCTURAL COMPONENTS

TYPE

DATE

PAGE

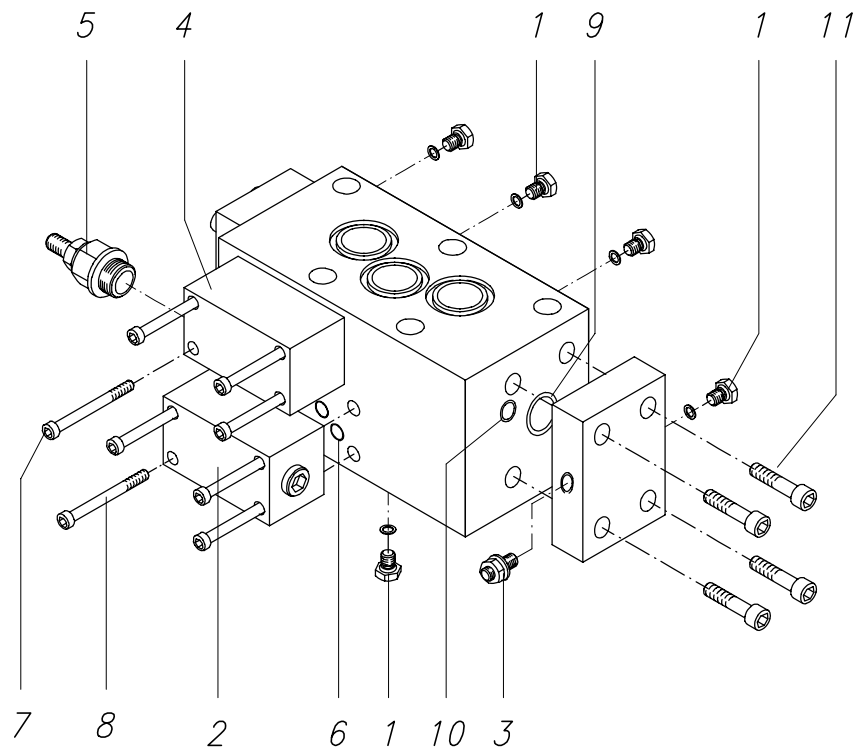



VALVE

VHP-60

09/01

060.06.00



SERIAL/ITEM No. SS702000												STRUCTURAL COMPONENTS	TYPE	DATE	PAGE	
												VALVE	VHP-60	09/01	060.06.00	

P O S	part number	description	Q T Y	remarks/dimensions
1	170-3230	Screwplug	6	
2	170-3231	Valve	1	
3	170-3232	Plug complete	2	
4	172-2212	Valve	1	
5	170-3233	Valve	1	
6	174-5057	Seal O-ring	8	
7	3E-8025	Bolt	4	M8x50 12.9
8	8T-9535	Bolt	4	M8x60 12.9
9	174-5055	Seal O-ring	2	
10	174-5056	Seal O-ring	2	
11	8T-6429	Bolt	8	M16x55 12.9