

ORANGE PEEL

GRAB

TYPE: GSM-25

ITEM No.: S5940500

serial number :

Verachttert Nederland
Sigarenmakerstraat 9
Postbus 3069
NL-5203 DB 's-Hertogenbosch
Nederland
Tel.: 073-6404111
Fax : 073-6423065

Verachttert Belgie/Belgique
Weverstraat 31
B-1840 Londerzeel
Belgie
Tel.: 052-303851
Fax : 052-303350

Verachttert International
Sigarenmakerstraat 9
P.O. box 3069
NL-5203 DB 's-Hertogenbosch
The Netherlands
Tel. :++31.73.6404111
Fax :++31.73.6428105

Product information

Note: For product identification plate locations, see the section “Product Identification information” in the Operation and Maintenance Manual.

Delivery date _____

Product Information

Model: _____

Product identification Number: _____

Engine Serial Number: _____

Transmission Serial Number: _____

Generator Serial Number: _____

Attachment Serial Numbers: _____

Attachment Information: _____

Customer Equipment Number: _____

Dealer Equipment Number _____

Dealer Information

Name: _____ Branch: _____

Address: _____

Dealer Contact

Phone Number

Hours

sales: _____

Parts: _____

service: _____

PARTSBOOK

For a proper and save functioning, it is required to replace defective parts by original spare parts.

Repairing or welding parts is only allowed with written permission of your supplier.

In order to make sure the correct part is delivered on time, please state the following:

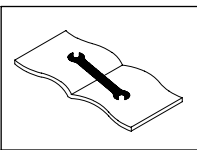
- type of equipment
- serial number
- position number
- part number
- quantity
- name and adress of customer

The first two items can also be found in the operating manual or the type label mounted on the product.

The instructions to use the product are given in the 'operating manual'. The delivery of the product also includes the operating manual.

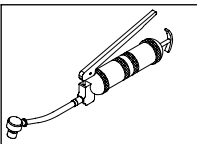
Always consult the operating manual when carrying out maintenance or repair jobs.

BETEKENIS VAN DE GEBRUIKTE SYMBOLEN / USE OF SYMBOLES



Bij vervangen van dit onderdeel zie gebruikershandleiding

Service indicator/read technical manual



Voor het smeren van onderdelen zie gebruikershandleiding

For lubrication see manual

SERIAL/ITEM No.
S5940500

STRUCTURAL COMPONENTS

TYPE

DATE

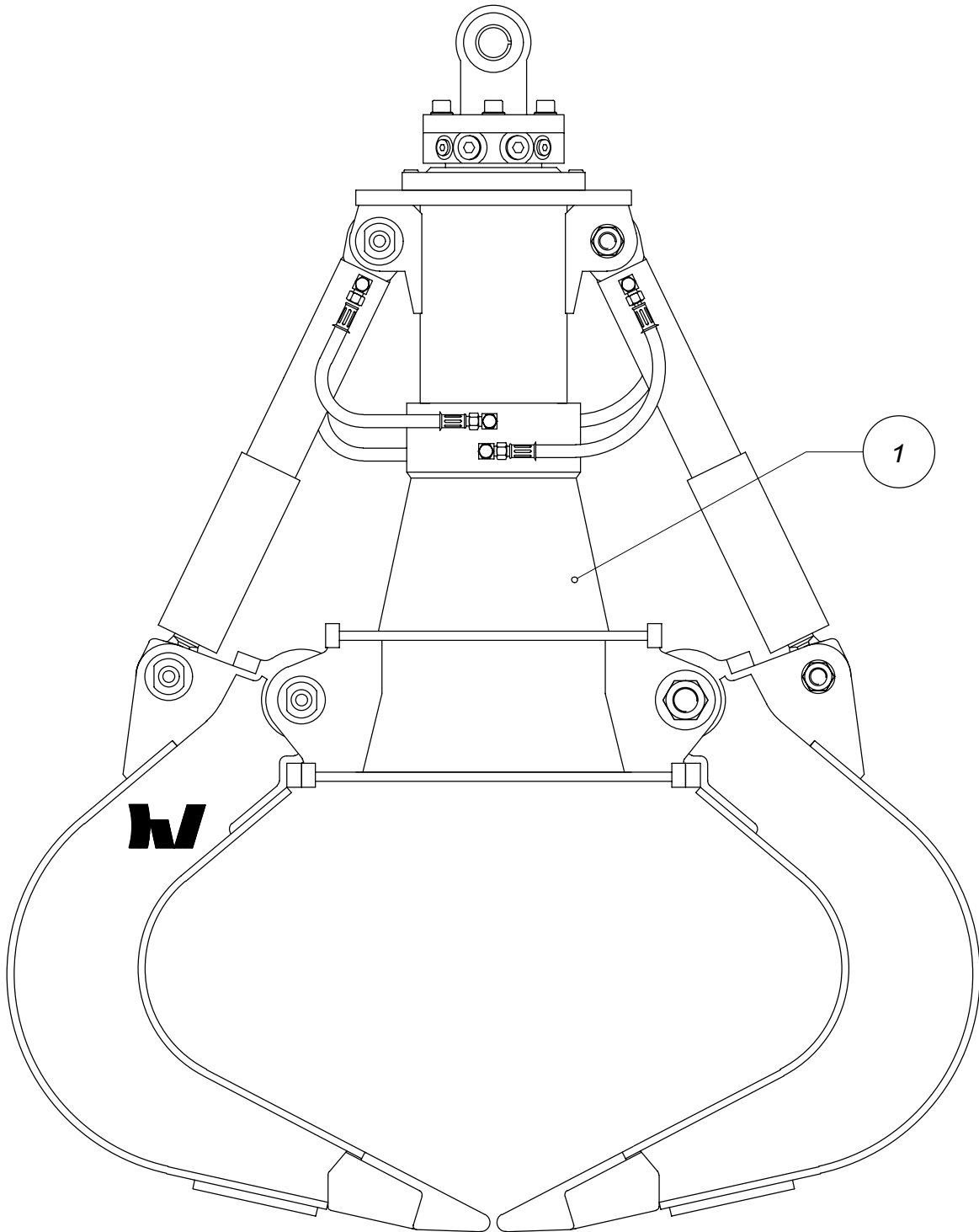
PAGE


ORANGE PEEL GRAB

GSM-25

04/97

001.02.04



SERIAL/ITEM No. S5940500	STRUCTURAL COMPONENTS										TYPE	DATE	PAGE	
	ORANGE PEEL GRAB										GSM-25	04/97	001.02.04	

P O S	part number	description	Q T Y	remarks/dimensions
1	GSM254000	GSM-25-400 -SO-	1	PAGE 010.02.04
	GSM25400H	GSM-25-400 -SH-	1	PAGE 010.02.04
	GSM25400G	GSM-25-400 -SG-	1	PAGE 010.02.04
	GSM255000	GSM-25-500 -SO-	1	PAGE 010.02.04
	GSM25500H	GSM-25-500 -SH-	1	PAGE 010.02.04
	GSM25500G	GSM-25-500 -SG-	1	PAGE 010.02.04
	GSM256000	GSM-25-600 -SO-	1	PAGE 010.02.04
	GSM25600H	GSM-25-600 -SH-	1	PAGE 010.02.04
	GSM25600G	GSM-25-600 -SG-	1	PAGE 010.02.04
	GSM258000	GSM-25-800 -SO-	1	PAGE 010.02.04
	GSM25800H	GSM-25-800 -SH-	1	PAGE 010.02.04
	GSM25800G	GSM-25-800 -SG-	1	PAGE 010.02.04
	GSM254000E	GSM-25-400 -SO-TA-	1	PAGE 010.02.04
	GSM25400HE	GSM-25-400 -SH-TA-	1	PAGE 010.02.04
	GSM255000E	GSM-25-500 -SO-TA-	1	PAGE 010.02.04
	GSM25500HE	GSM-25-500 -SH-TA-	1	PAGE 010.02.04
	GSM256000E	GSM-25-600 -SO-TA-	1	PAGE 010.02.04
	GSM25600HE	GSM-25-600 -SH-TA-	1	PAGE 010.02.04
	GSM258000E	GSM-25-800 -SO-TA-	1	PAGE 010.02.04
	GSM25800HE	GSM-25-800 -SH-TA-	1	PAGE 010.02.04

SERIAL/ITEM No.
S5940500

STRUCTURAL COMPONENTS

TYPE

DATE

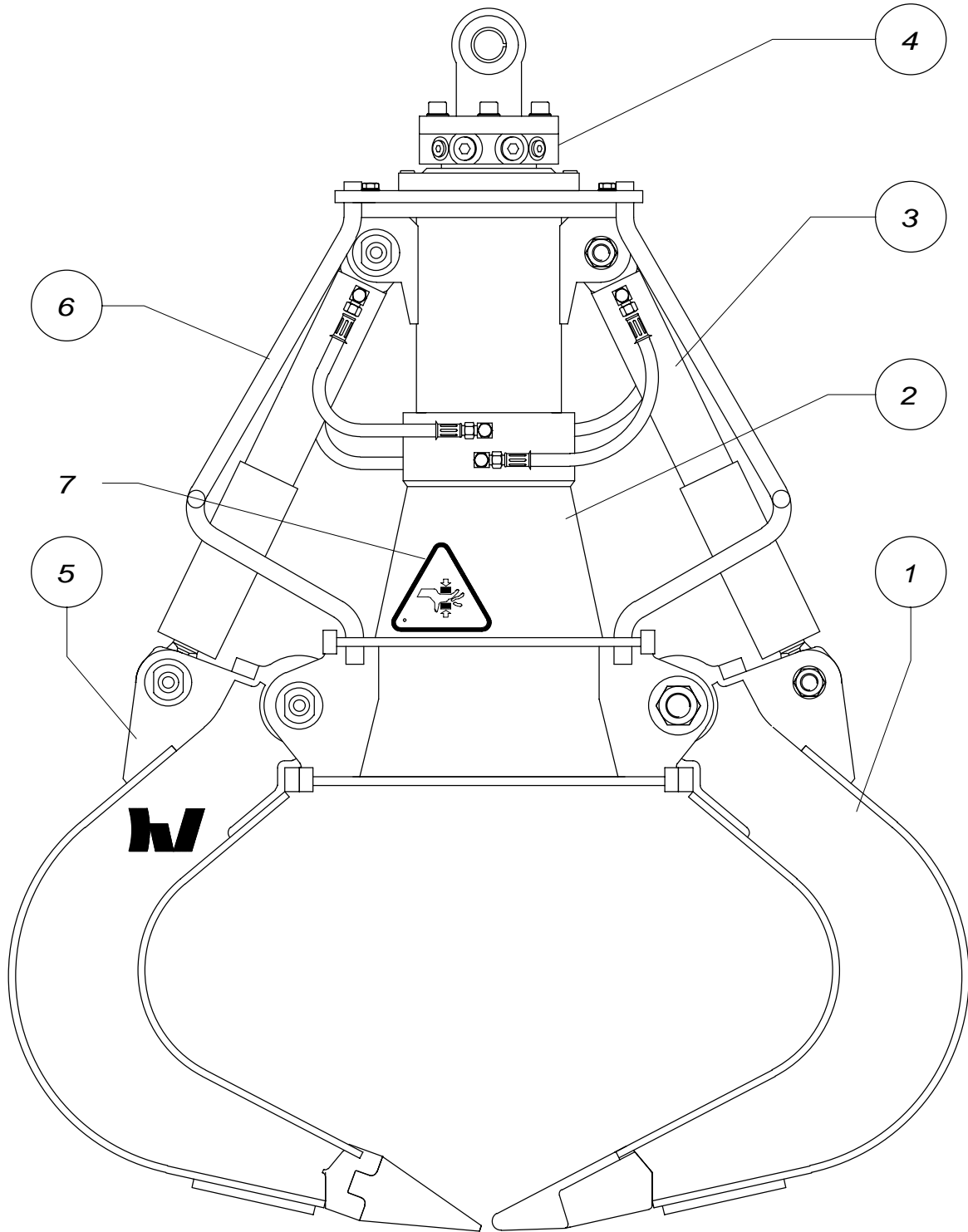
PAGE


ORANGE PEEL GRAB

GSM-25

04/97

010.02.04



SERIAL/ITEM No. S5940500	STRUCTURAL COMPONENTS	TYPE	DATE	PAGE	
		ORANGE PEEL GAB	GSM-25	04/97	

P O S	part number	description	Q T Y	remarks/dimensions
1		Shell	1	page 020.02.01
2		Yoke	1	page 030.02.01
3		Hydr. section yoke	1	page 040.02.03
4		Rotator <i>DH / DM</i>	1	page 060.02.01
		Rotator <i>IH / IM</i>	1	page 061.02.01
		Suspension <i>D-</i>	1	page 065.02.00
5		Shell <i>TA</i>	1	page 070.02.01
6		Protection frame	1	page 080.02.01
7	999001	Sticker 'hands out'	2	

SERIAL/ITEM No.
S5940249
S5940500

STRUCTURAL COMPONENTS

TYPE

DATE

PAGE

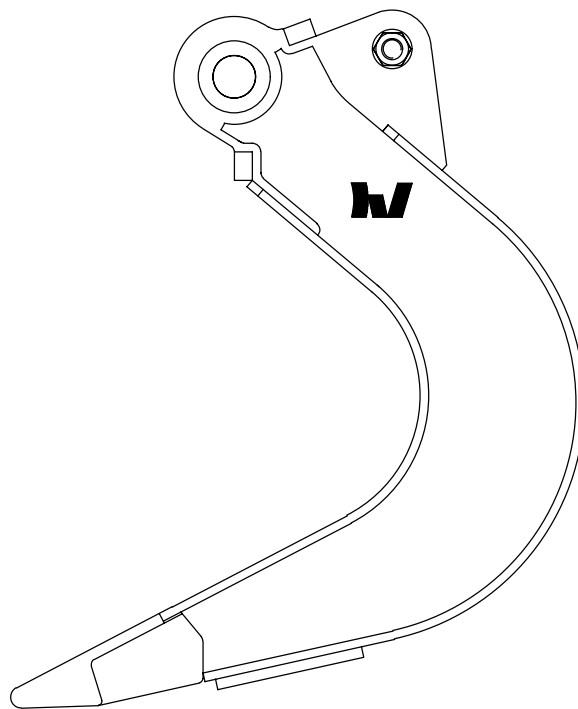
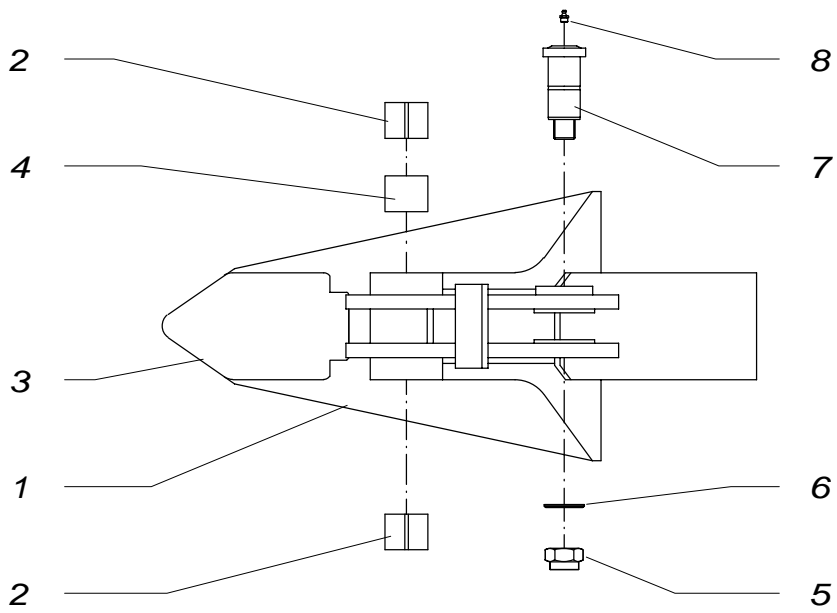



SHELL

GSM-25

04/97

020.02.01



SERIAL/ITEM No.	S5940249	S5940500								STRUCTURAL COMPONENTS	TYPE	DATE	PAGE	
										SHELL	GSM-25	04/97	020.02.01	

P S O S	part number	description	Q T Y	remarks/dimensions
1	S5940144	Shell GSM-25-400	SO	1 correspond to 205940144
	S5940146	Shell GSM-25-400	SH	1 correspond to 205940146
	S5940148	Shell GSM-25-400	SG	1 correspond to 205940148
	S5940140	Shell GSM-25-500	SO	1 correspond to 205940140
	S5940111	Shell GSM-25-500	SH	1 correspond to 205940111
	S5940141	Shell GSM-25-500	SG	1 correspond to 205940141
	S5940149	Shell GSM-25-600	SO	1 correspond to 205940149
	S5940156	Shell GSM-25-600	SH	1 correspond to 205940156
	S5940158	Shell GSM-25-600	SG	1 correspond to 205940158
	S5940159	Shell GSM-25-800	SO	1 correspond to 205940159
	S5940161	Shell GSM-25-800	SH	1 correspond to 205940161
	S5940163	Shell GSM-25-800	SG	1 correspond to 205940163
2	370204	Bearing bush		2 50x60x50 DIN 1498
3	S5940133	Tooth		1 correspond to 205940133
4	V5940208	Spacer		1 correspond to 205940208
5	265301	Nut		1 M30 DIN 985
6	288064	Washer		1 M30 DIN 125-B
7	300450880	Pin		1
8	345100	Lubricating nipple		1 R 1/8"-180° DIN 71412

SERIAL/ITEM No.
S5940249
S5940500

STRUCTURAL COMPONENTS

TYPE

DATE

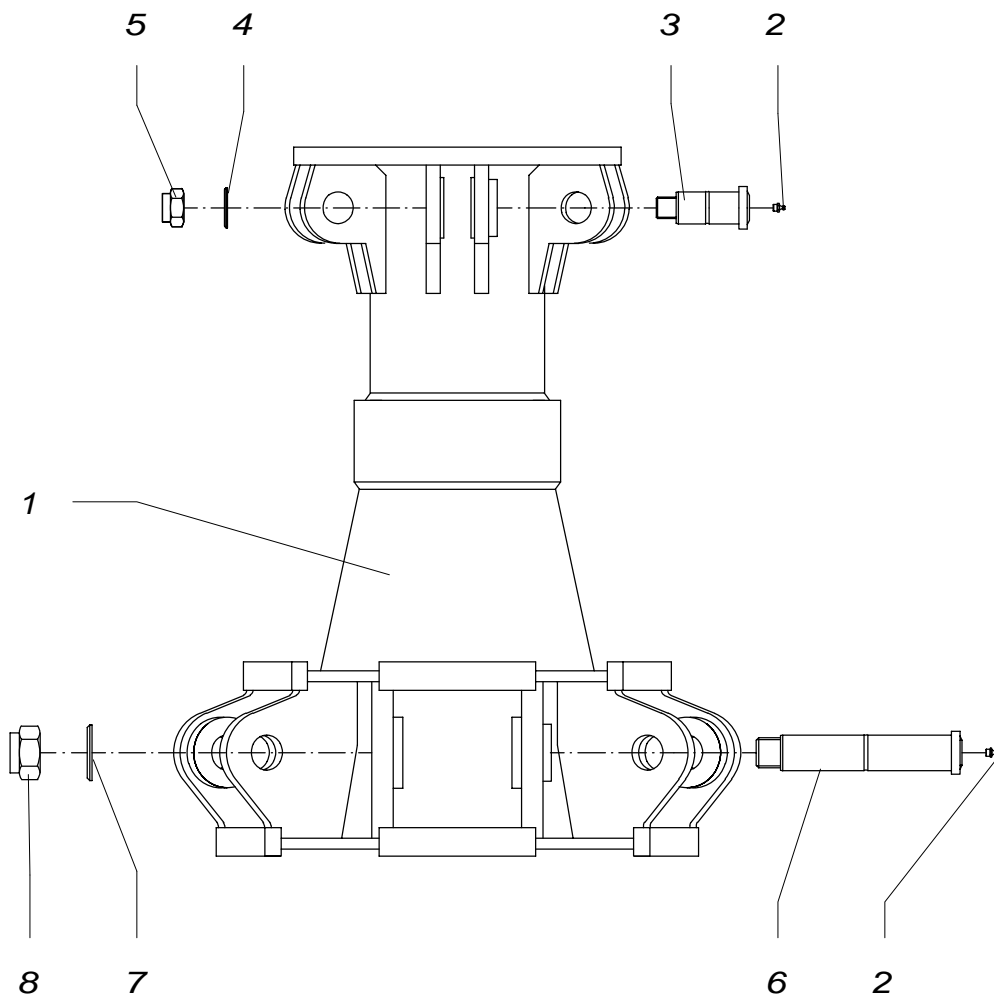
PAGE


YOKE

GSM-25

04/97

030.02.01



SERIAL/ITEM No.	S5940249	STRUCTURAL COMPONENTS	TYPE	DATE	PAGE	
	S5940500		YOKE	GSM-25	04/97	

P O S	part number	description	Q T Y	remarks/dimensions
1	55940101	Yoke	1	correspond to 205940101
2	345100	Lubricating nipple	10	R 1/8"-180° DIN 71412
3	300450880	Pin	5	
4	288064	Washer	5	M30 DIN 125-B
5	265301	Nut	5	M30 DIN 985
6	300502400	Pin	5	
7	288072	Washer	5	M42 DIN 125-B
8	265421	Nut	5	M42x3 DIN 985

SERIAL/ITEM No.
S5940249
S5940500

STRUCTURAL COMPONENTS

TYPE

DATE

PAGE

HYDR. SECTION YOKE

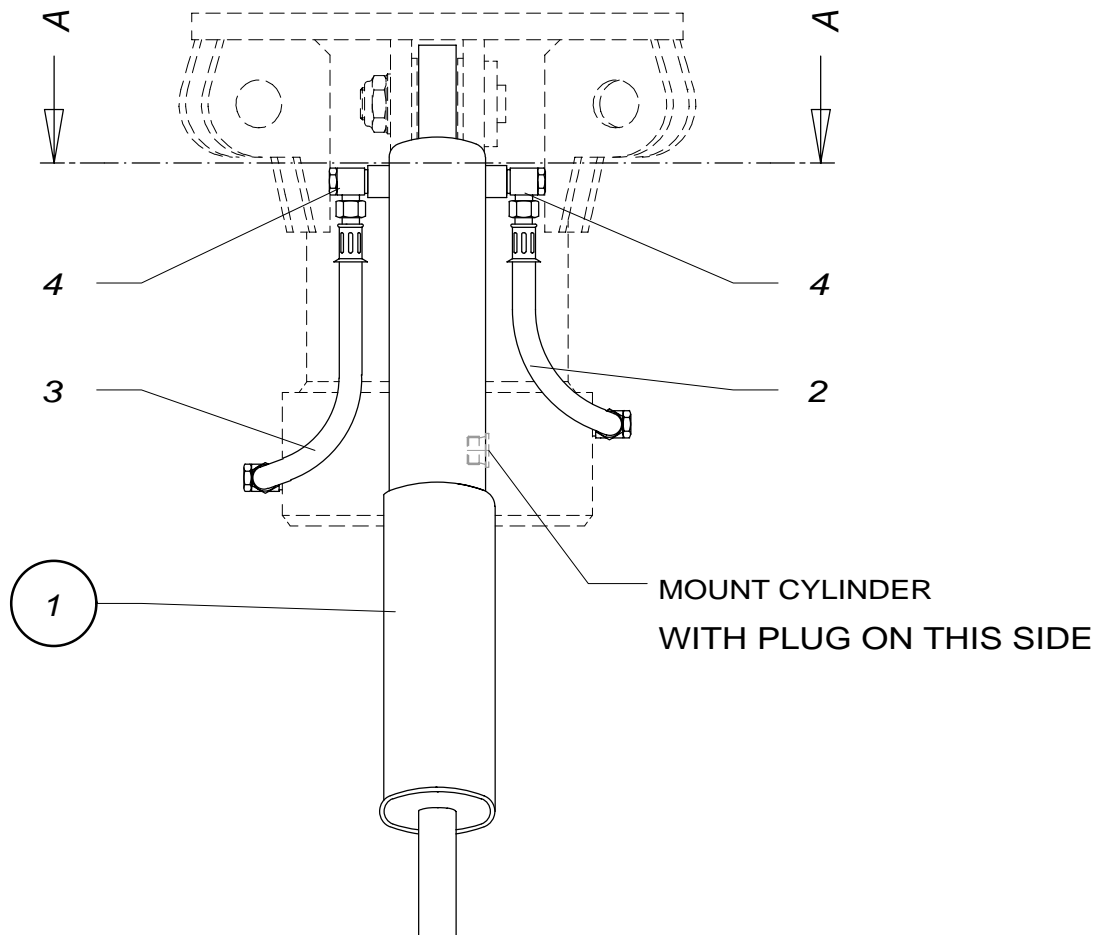
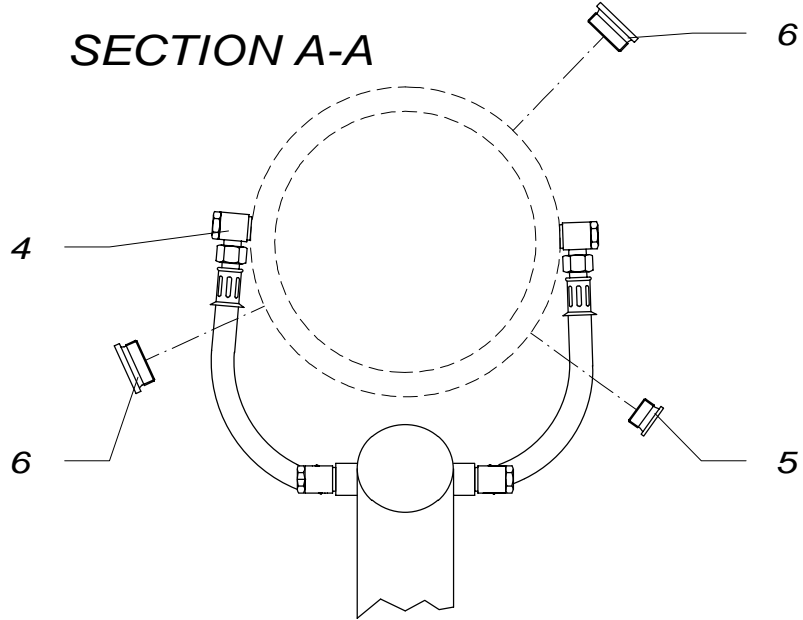
GSM-25


04/97

040.02.03



SECTION A-A



SERIAL/ITEM No.	S5940249	S5940500							STRUCTURAL COMPONENTS	TYPE	DATE	PAGE	
									HYDR. SECTION YOKE	GSM-25	04/97	040.02.03	

P O S	part number	description	Q T Y	remarks/dimensions
1	500700400	Cylinder	5	page 050.02.02
2	400640401	Hose	5	
3	400640451	Hose	5	
4	H028870	Coupling	20	
5	H036864	Screw plug	1	
6	H036868	Screw plug	2	

SERIAL/ITEM No.
205940218
S5940249
S5940500

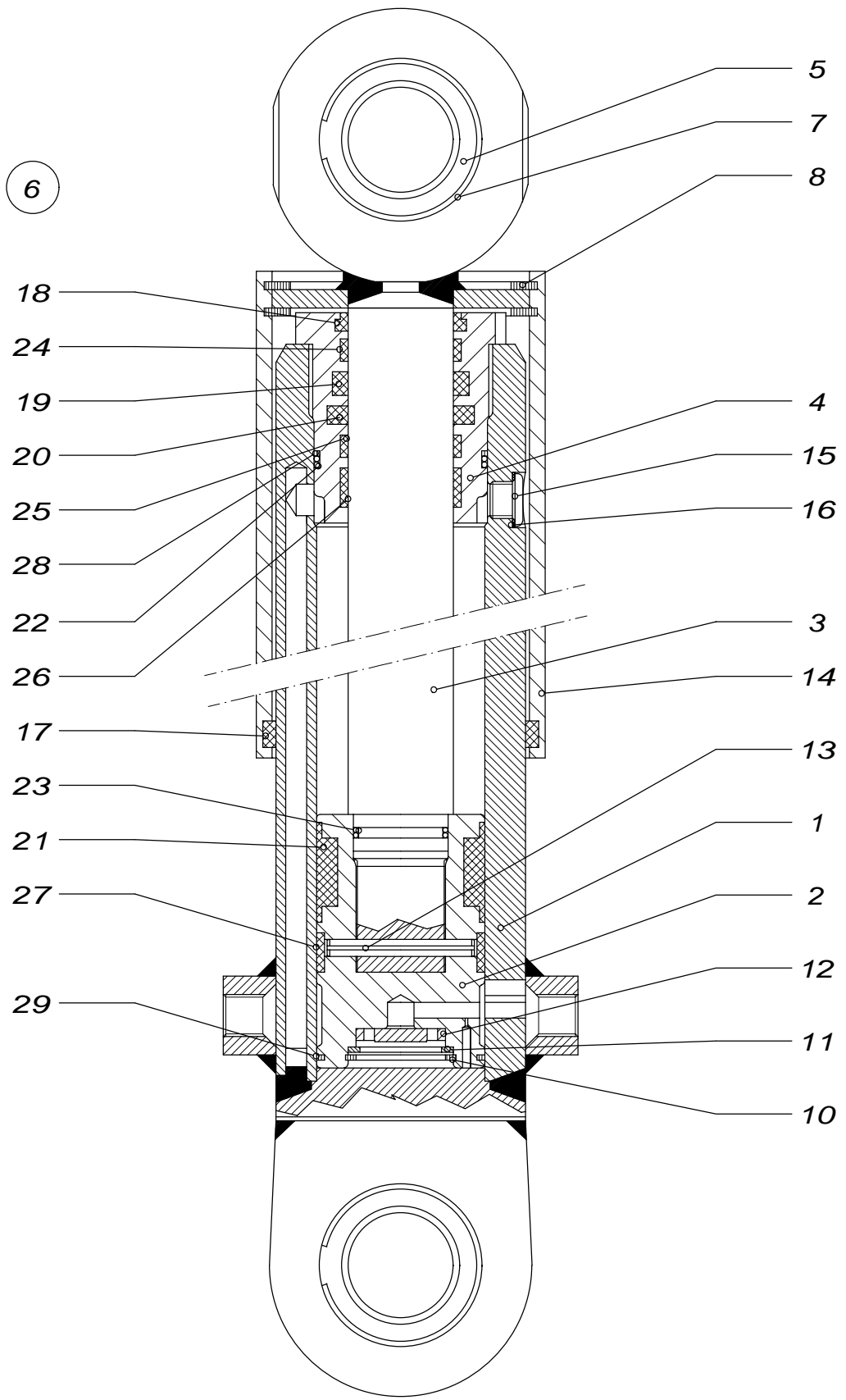
STRUCTURAL COMPONENTS

CYLINDER

TYPE
GSM-25


DATE
04/97

PAGE
050.02.01



6

9

SERIAL/ITEM No. S5940249 S5940500	STRUCTURAL COMPONENTS				TYPE	DATE	PAGE	
	CYLINDER				GSM-25	04/97	050.02.02	

P O S	part number	description	Q T Y	remarks/dimensions
1	500700450	Cylinderbody (with eye)	1	
2	500700405	Piston	1	
3	500700451	Piston rod (with eye)	1	
4	500700404	Guiding nut	1	
5	382069	Balljoint bearing	2	GE 45 D0
6	500700453	Seal set	1	fig. 16, 18 to 29
7	325068	Retaining ring	4	J68 DIN 472
8	325105	Retaining ring	2	J105 DIN 472
9	500700452	Damping set	1	fig. 10 to 12
10	325040	Retaining ring	1	J40 DIN 472
11	500700432	Fit ring	1	SS 28-40-2.0 DIN 988
12	500700432	Damping ring	1	
13	310192	Spring ring	1	6x60 DIN 1481
14	500700410	Protection tube	1	
15	500700426	Screw plug	1	
16		Ring		
17	500700412	Guide ring	1	
18		Scraper		
19		Seal		
20		Seal		
21		Seal		
22		O-ring		
23		O-ring		
24		Guide ring		
25		Guide ring		
26		Guide ring		
27		Guide ring		
28		Back-up ring		
29		Guide ring		

SERIAL/ITEM No.
S5940249
S5940500

STRUCTURAL COMPONENTS

TYPE

DATE

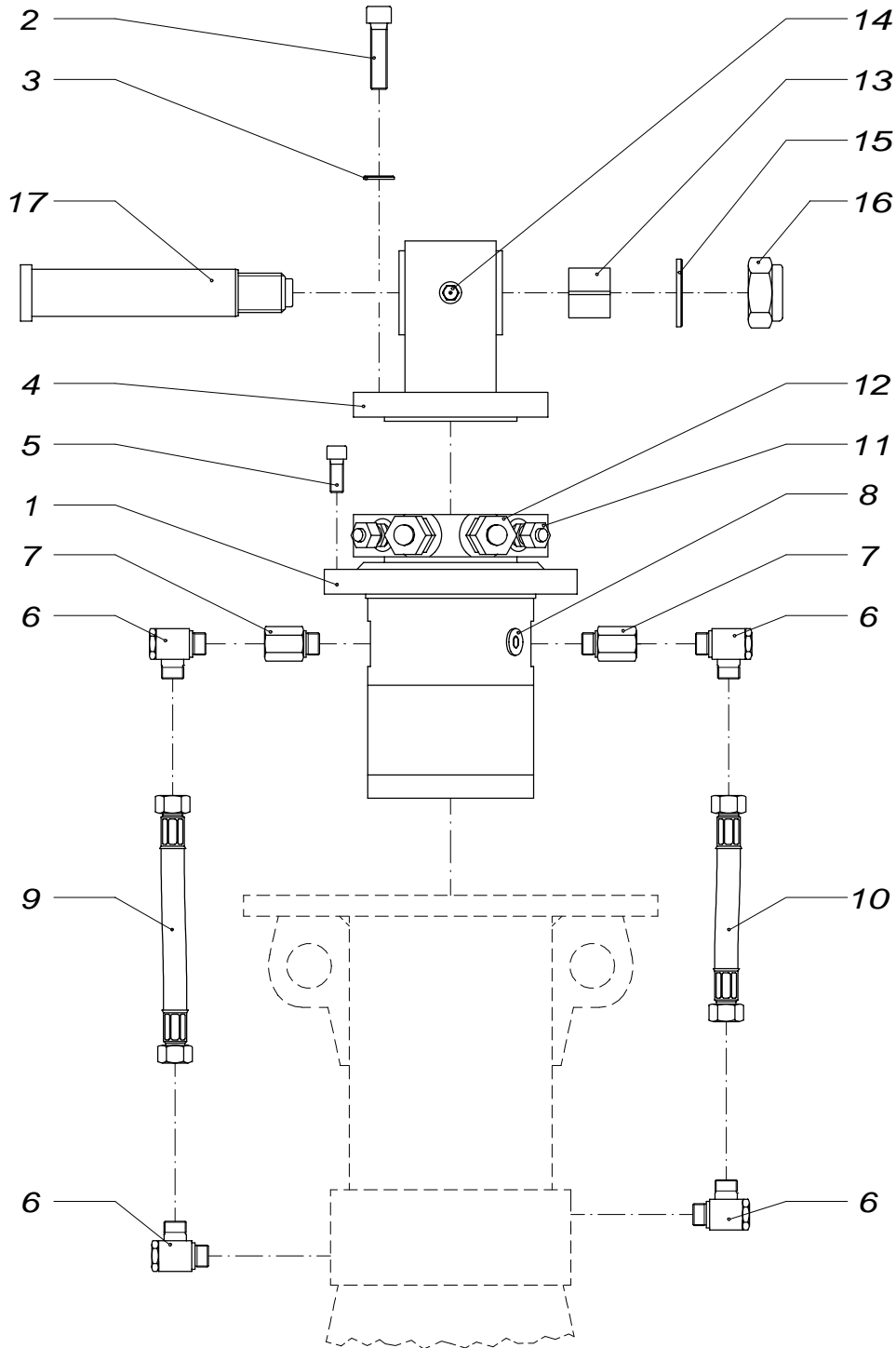
PAGE


ROTATOR DH/DM

GSM-25

04/97

060.02.01



SERIAL/ITEM No. S5940249 S5940500	STRUCTURAL COMPONENTS				TYPE	DATE	PAGE	
	ROTATOR DH/DM				GSM-25	04/97	060.02.01	

P O S	part number	description	Q T Y	remarks/dimensions
1	599012	Rotator <i>DH</i>	1	
	599011	Rotator <i>DM</i>	1	
	599018	Rotator <i>DH-DD</i>	1	
	599017	Rotator <i>DM-DD</i>	1	
2	226476	Bolt	6	M20x80 10.9 DIN 912
3	289052	High strenght washer	6	M20 DIN 6916
4	599991	Suspension head	1	
5	226351	Bolt	5	M16x40 10.9 DIN 912
6	H028873	Coupling	2	
7	500290	Nipple	2	
8	599277	Screw plug	1	only rotator <i>DM / DH</i>
9	400840330	Hose	1	
10	400840280	Hose	1	
11	H038344	Coupling	2	only rotator <i>DH / DH-DD</i>
12	H038346	Coupling	2	
13	370204	Bearing bush	2	50x60x50 DIN 1498
14	345100	Lubricating nipple	1	R 1/8"-180° DIN 71412
15	288072	Washer	1	M42 DIN 125-B
16	265420	Nut	1	M42x3 DIN 985
17	306100130	Pin	1	

SERIAL/ITEM No.
S5940500

STRUCTURAL COMPONENTS

TYPE

DATE

PAGE

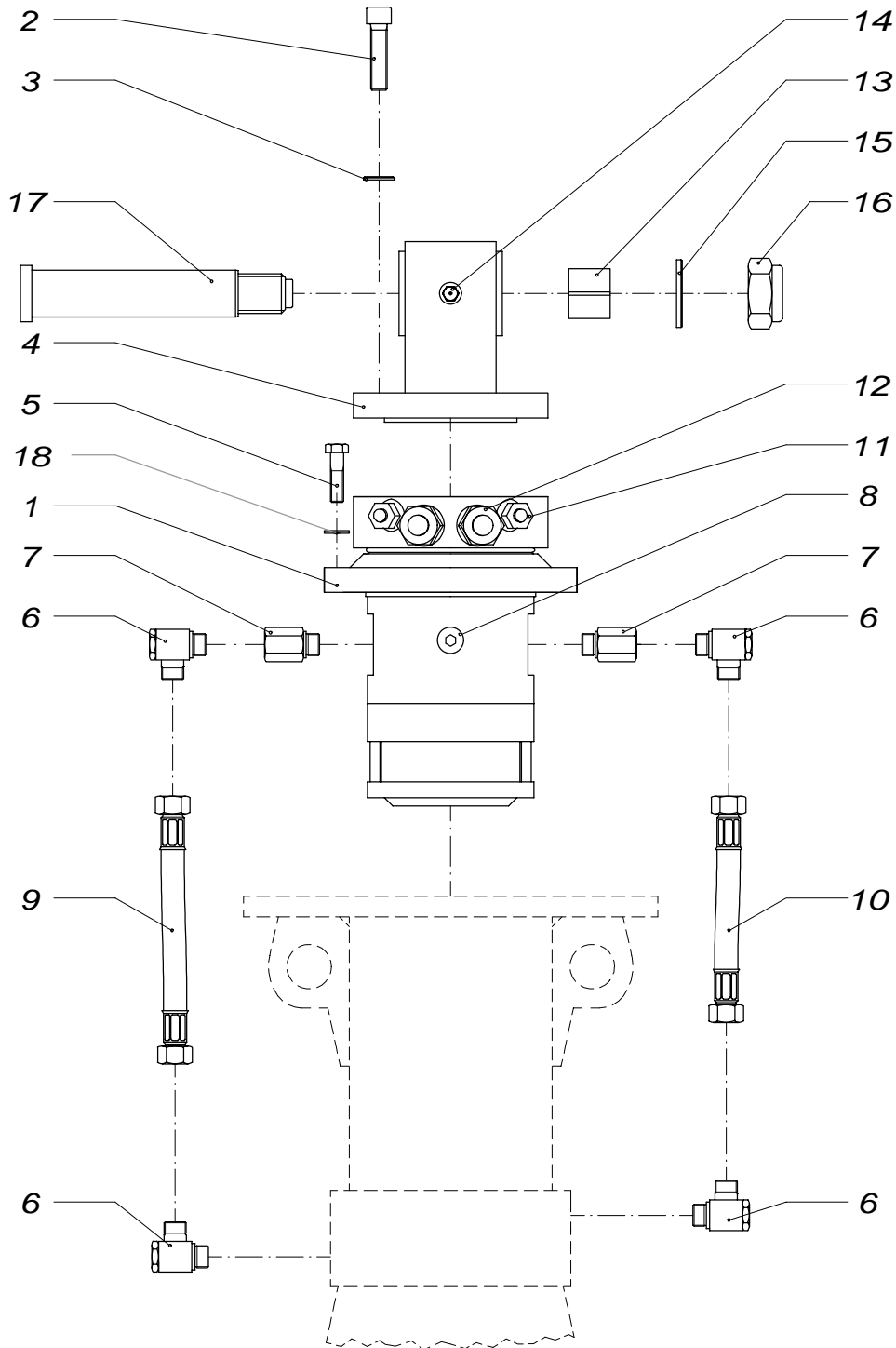



ROTATOR IH / IM

GSM-25

04/97

061.02.01



SERIAL/ITEM No. S5940500	STRUCTURAL COMPONENTS				TYPE	DATE	PAGE	
	ROTATOR IH / IM				GSM-25	04/97	061.02.01	

P O S	part number	description	Q T Y	remarks/dimensions
1	46001100	Rotator IM	1	
	46000900	Rotator IH	1	
2	226478	Bolt	6	M20x90 10.9 DIN 912
3	289052	High strenght washer	6	M20 DIN 6916
4	599991	Suspension head	1	
5	202271	Bolt	5	M16x60 10.9 DIN 931
6	H028873	Coupling	2	
7	500290	Nipple	2	
8	H036864	Screw plug	1	
9	400840330	Hose	1	
10	400840280	Hose	1	
11	H036862	Screw plug	2	rotator IM
	H038344	Coupling	2	rotator IH
12	H338345	Coupling	2	
13	370204	Bearing bush	2	50x60x50 DIN 1498
14	345100	Lubricating nipple	1	R 1/8"-180° DIN 71412
15	288072	Washer	1	M42 DIN 125-B
16	265420	Nut	1	M42x3 DIN 985
17	306100130	Pin	1	
18	289044	High strength washer	5	M16 DIN 6916

SERIAL/ITEM No.
S5940249
S5940500

STRUCTURAL COMPONENTS

TYPE

DATE

PAGE

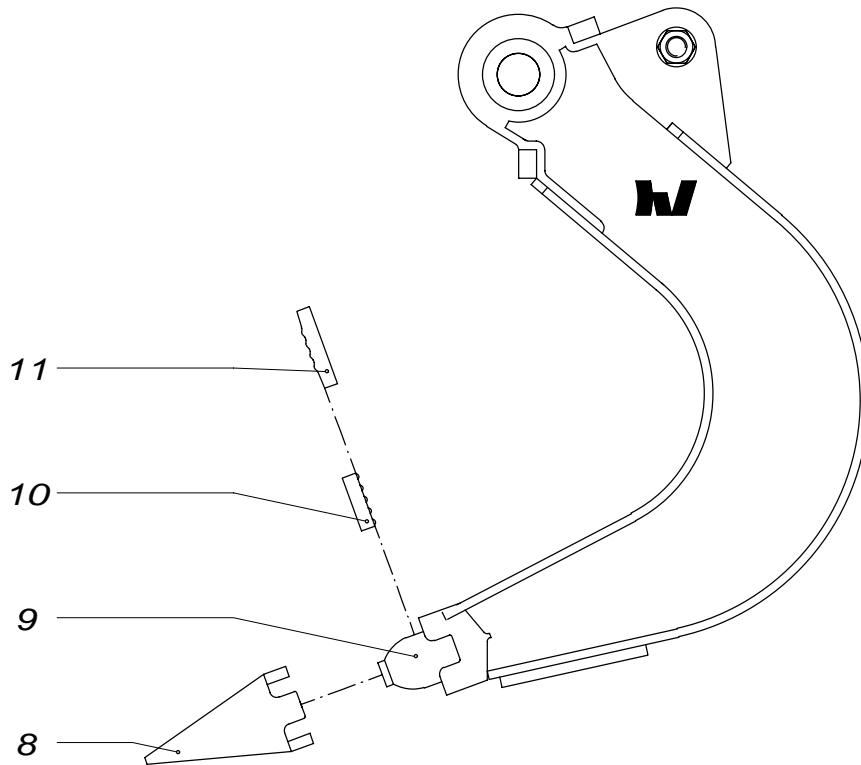
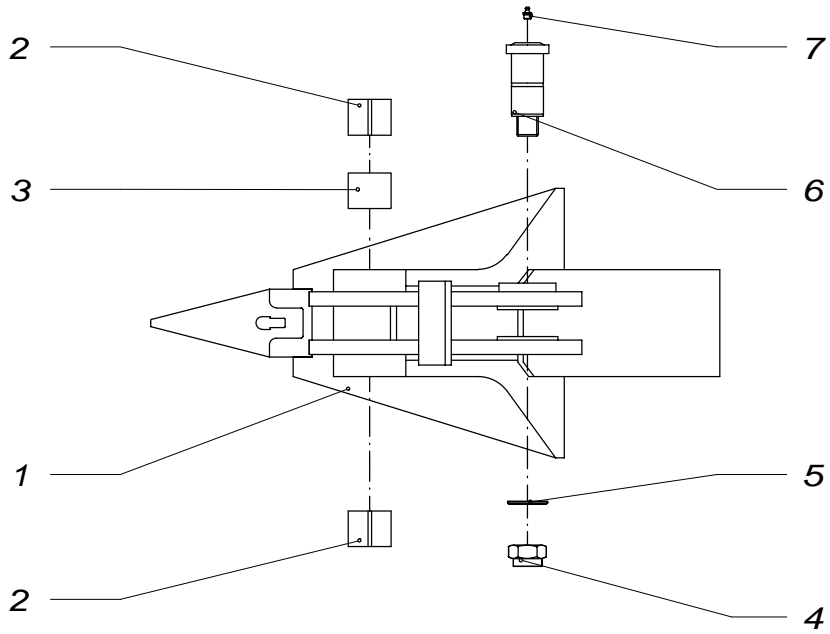



SHELL WITH REMOVABLE TIP

GSM-25

04/97

070.02.01



SERIAL/ITEM No.	S5940249	S5940500								STRUCTURAL COMPONENTS	TYPE	DATE	PAGE	
										SHELL WITH REMOVABLE TIP	GSM-25	04/97	070.02.01	

P O S	part number	description		Q T Y	remarks/dimensions
1	S5940145	Shell GSM-25-400	SO-TA	1	correspond to 205940145
	S5940147	Shell GSM-25-400	SH-TA	1	correspond to 205940147
	S5940142	Shell GSM-25-500	SO-TA	1	correspond to 205940142
	S5940143	Shell GSM-25-500	SH-TA	1	correspond to 205940143
	S5940155	Shell GSM-25-600	SO-TA	1	correspond to 205940155
	S5940157	Shell GSM-25-600	SH-TA	1	correspond to 205940157
	S5940160	Shell GSM-25-800	SO-TA	1	correspond to 205940160
	S5940162	Shell GSM-25-800	SH-TA	1	correspond to 205940162
2	370204	Bearing bush		2	50x60x50 DIN 1498
3	V5940208	Spacer		1	53x58x50
4	265301	Nut		1	M30 DIN 985
5	288064	Washer		1	M30 DIN 125-B
6	300450880	Pin		1	
7	345100	Lubricating nipple		1	R 1/8"-180° DIN 71412
8	633340	Pick point		1	34D95
9	632340	Weld on nose		1	WN34D
10	634341	Rubber lock		1	34DLK
11	634340	Steel pin		1	34DPN

SERIAL/ITEM No.
S5940249
S5940500

STRUCTURAL COMPONENTS

TYPE

DATE

PAGE

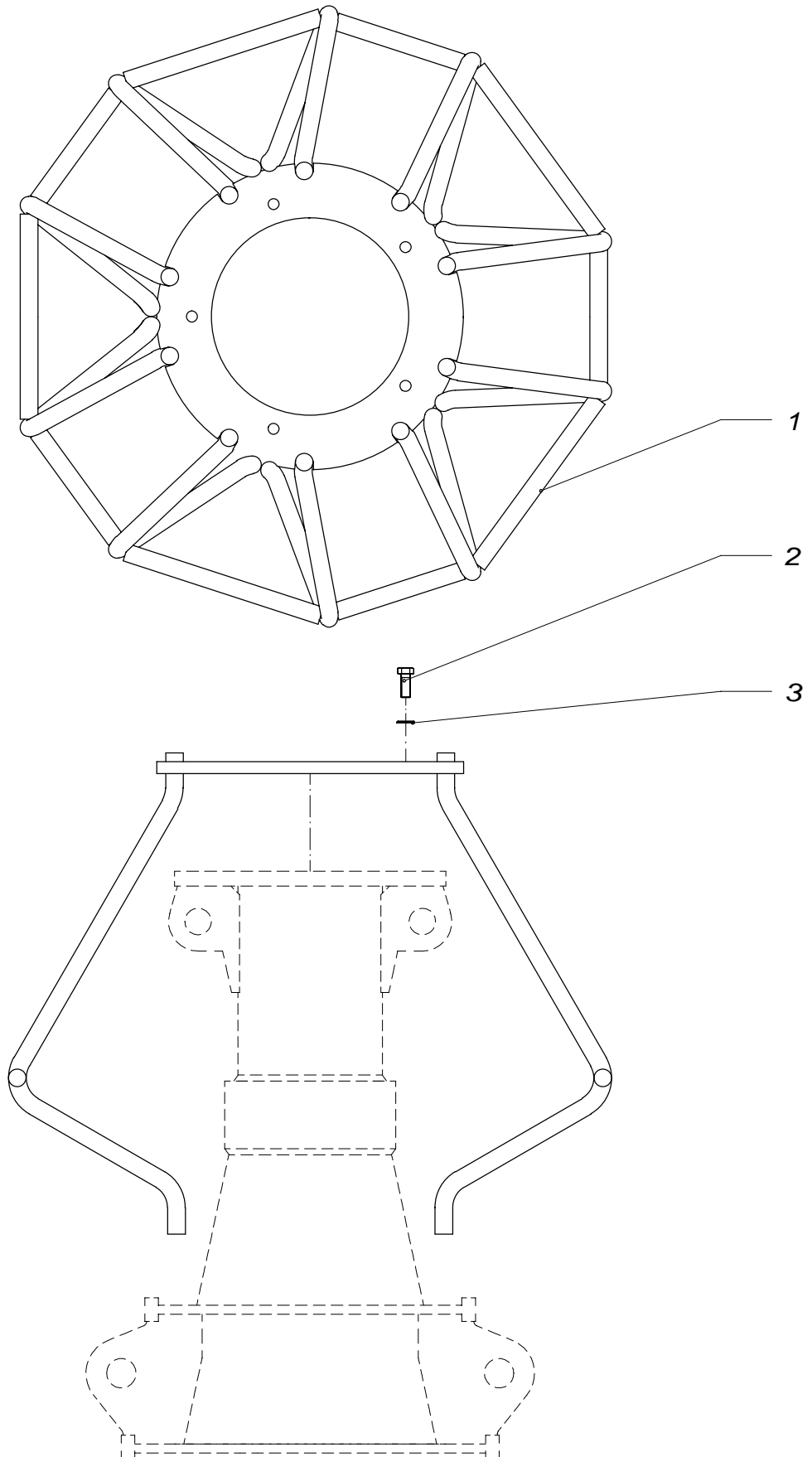



PROTECTION FRAME

GSM-25

04/97

080.02.01



SERIAL/ITEM No.	S5940249	STRUCTURAL COMPONENTS	TYPE	DATE	PAGE	
	S5940500		PROTECTION FRAME	GSM-25	04/97	

P O S	part number	description	Q T Y	remarks/dimensions
1	S5940139	Protection frame open CB	1	correspond to 205940139
	S5940176	Protection frame closed CE	1	correspond to 205940176
2	205465	Bolt	5	M16x50 8.8 DIN 931
3	290046	Lock washer	5	M16