



Verachttert Nederland B.V.

Sigarenmakerstraat 4A,
5232 BK 's-Hertogenbosch
Postbus 3069
5203 DB 's-Hertogenbosch
Tel. (073) 640 41 11
Fax (073) 641 97 40
Inschrijfnummer K.v.K. H33 217263
E-mail: info@veraned.nl
Internet: www.veraned.nl

Telefax

Aan :	<i>Hopf.</i>	Datum :	<i>26-2-07</i>
T.a.v. :		Aantal pagina's :	(incl. deze)
Faxnummer :	<i>00049 220 592 02729</i>	Van :	<i>Mande v.d. hof</i>
Referentie :		Doorkiesnr. :	<i>162</i>

Betreft:

Buch VRG 50.

G.P.B.

Met vriendelijke groet,

Mande



STRUCTURAL COMPONENTS

TYPE

ITEM No.

DATE

PAGE



DEMOLITION- AND SORTINGGRAB

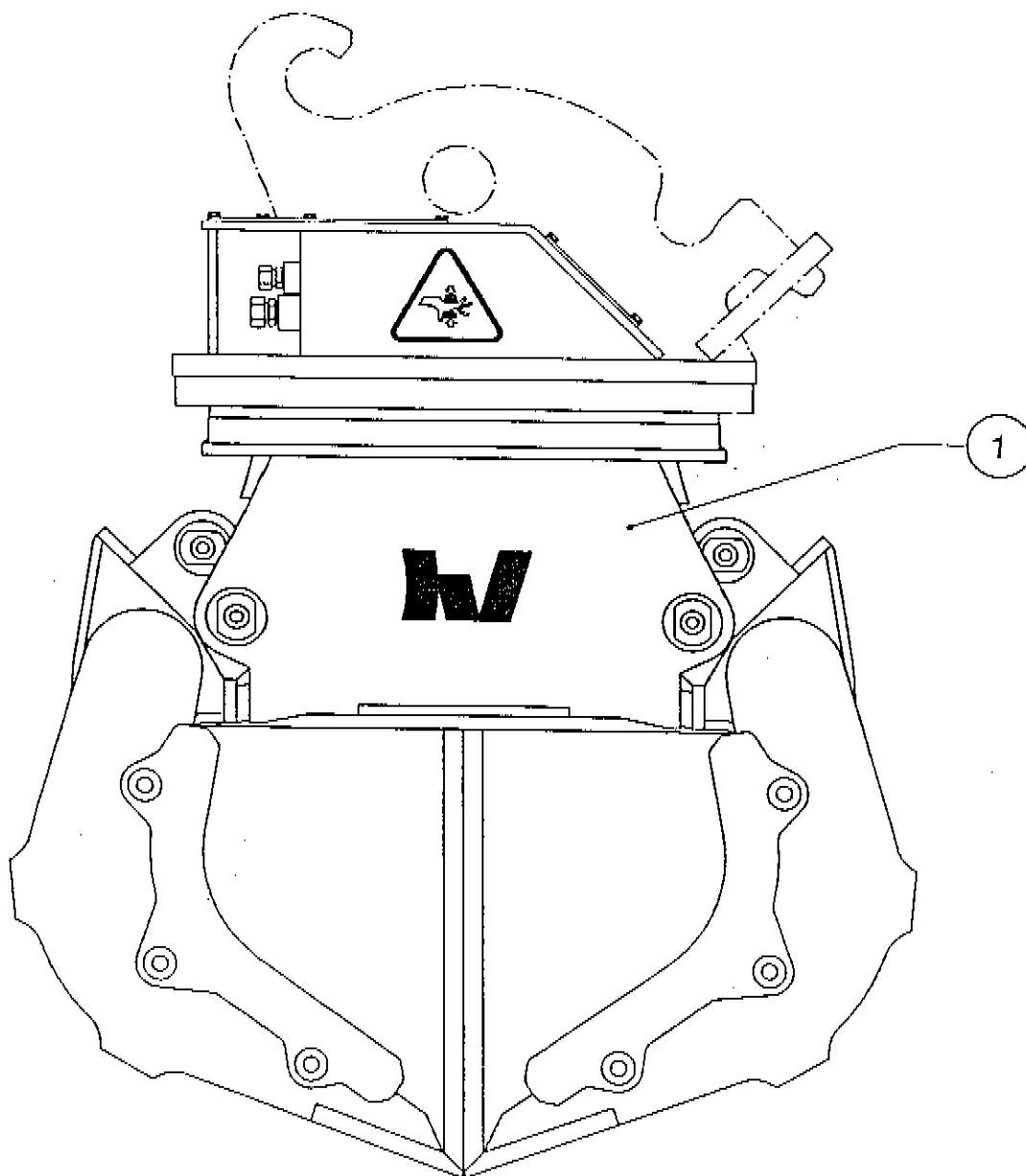
VRG-50

FROM: 200306000

03/95

001.05.01

TO:



STRUCTURAL COMPONENTS

TYPE

DATE

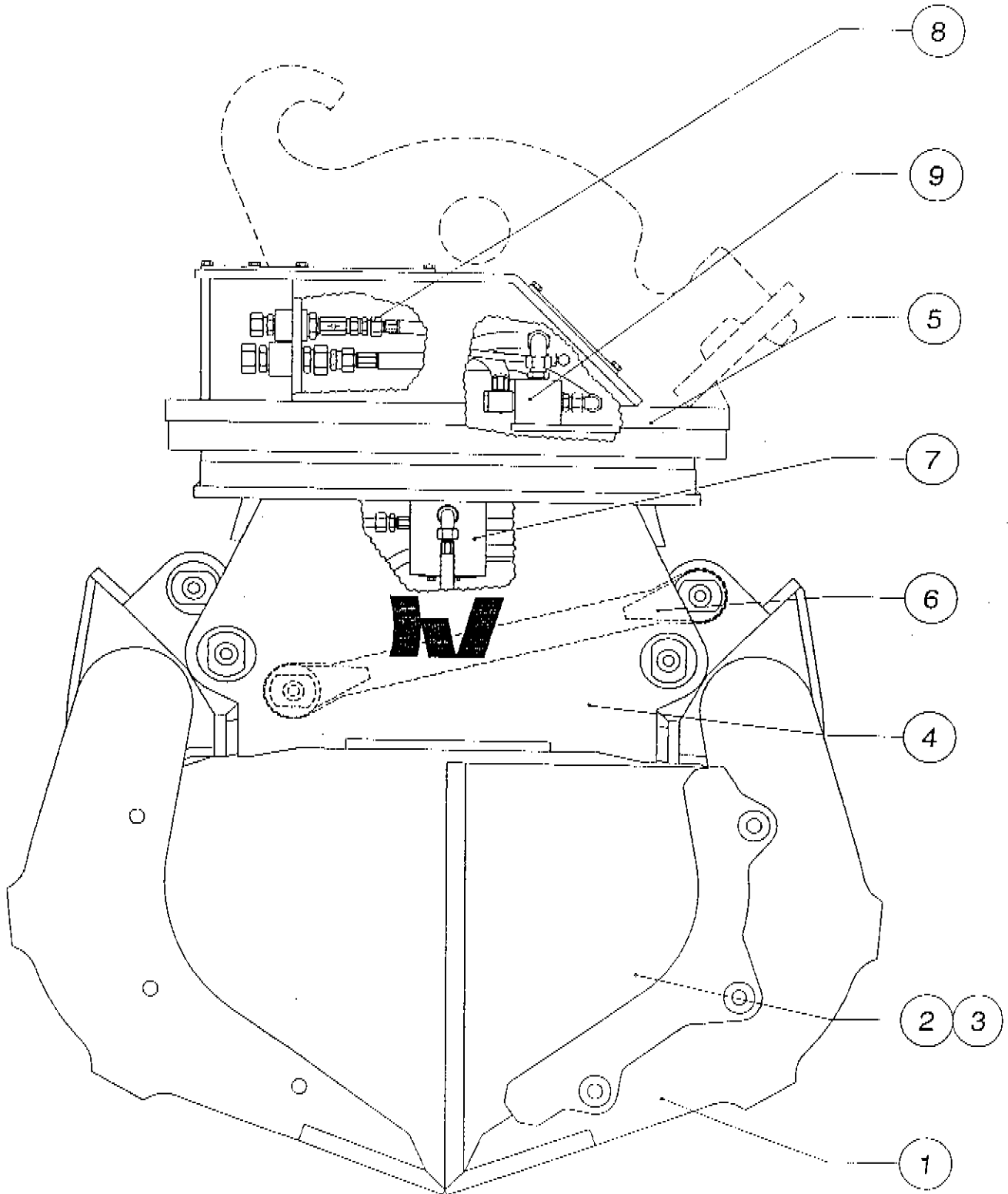
PAGE

DEMOLITION- AND SORTINGGRAB

VHG-50

SEPTEMBER 94

10.5.0



STRUCTURAL COMPONENTS

TYPE

DATE

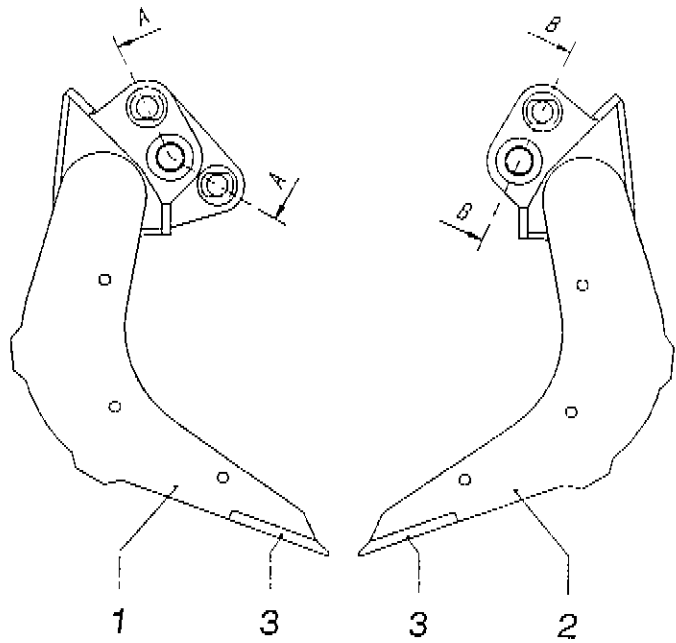
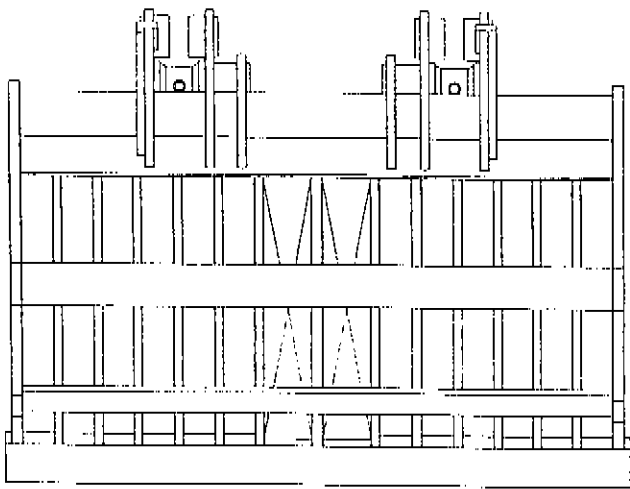
PAGE

SHELL SFT (LEFT, RIGHT)

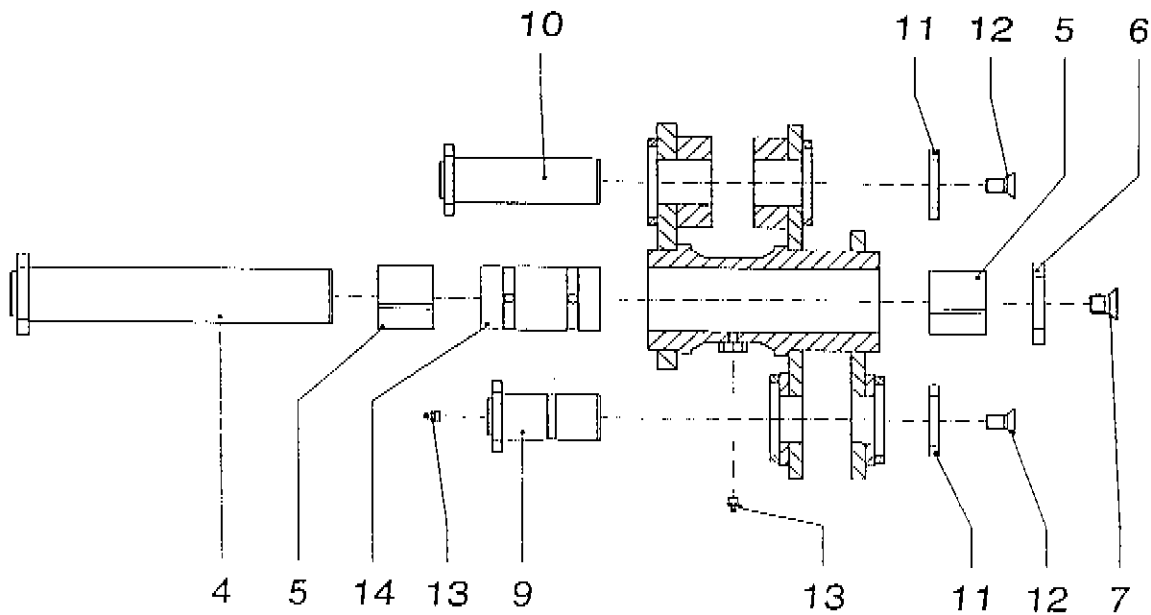
VRQ-50

SEPTEMBER'94

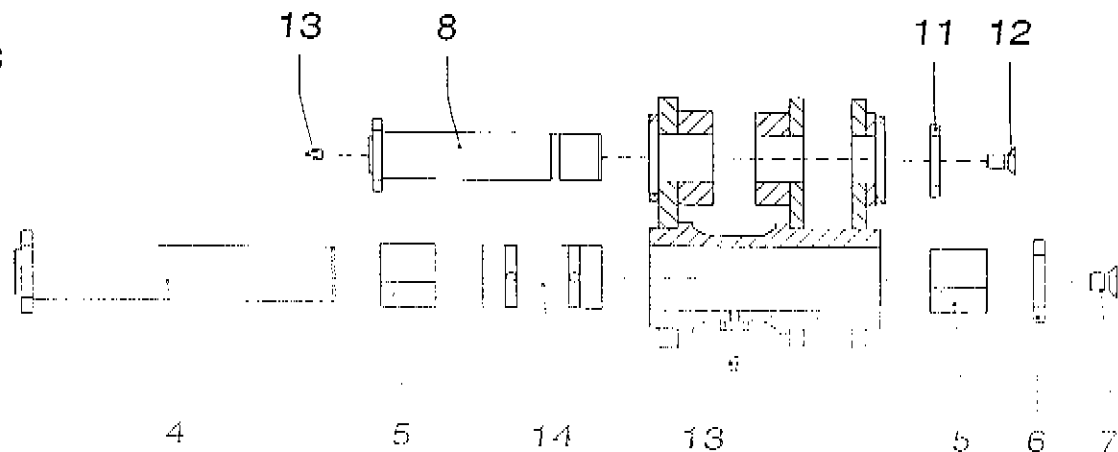
20.5.0



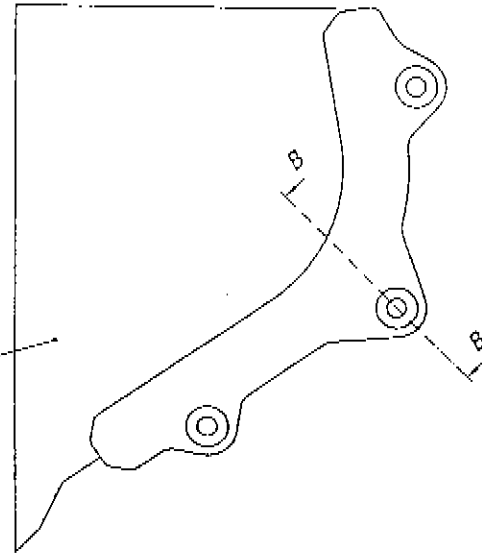
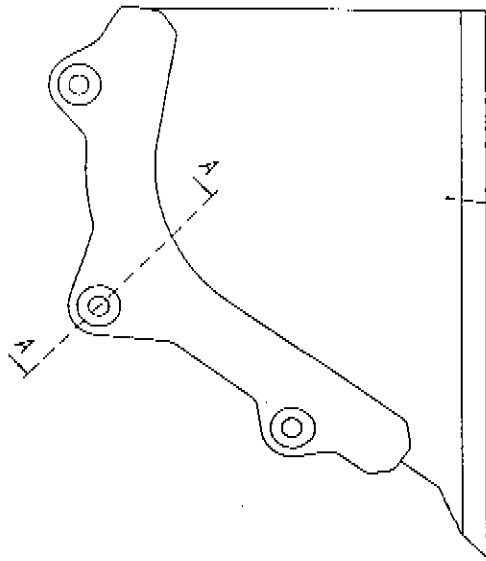
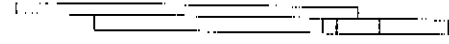
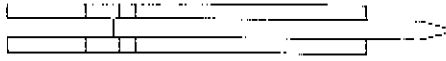
A-A



B-B



STRUCTURAL COMPONENTS	TYPE	DATE	PAGE
REMOVABLE SIDE PLATES	VRC-50	SEPTEMBER'94	30.5.0

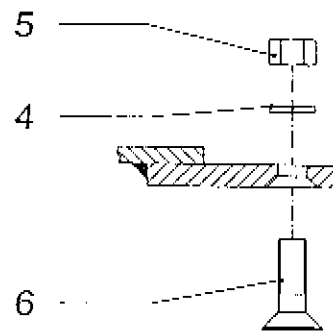
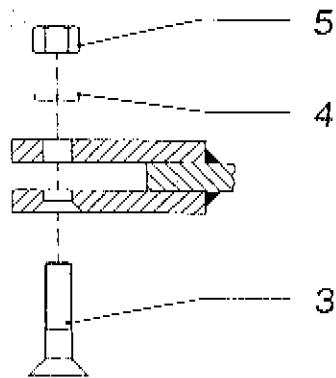


REMOVABLE BREAKING PLATES

REMOVABLE LOADING PLATES

A-A

B-B



STRUCTURAL COMPONENTS

TYPE

DATE

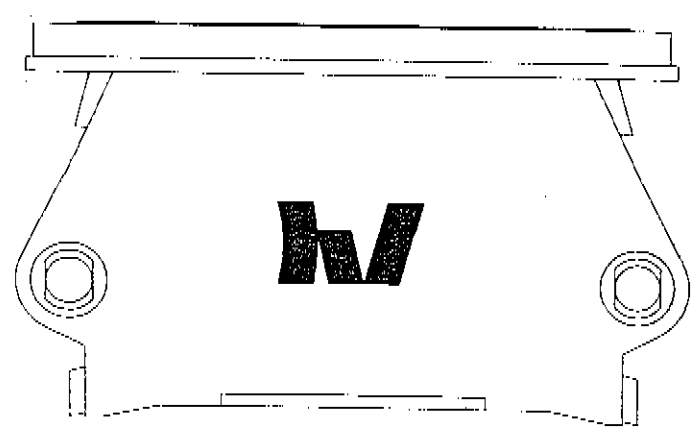
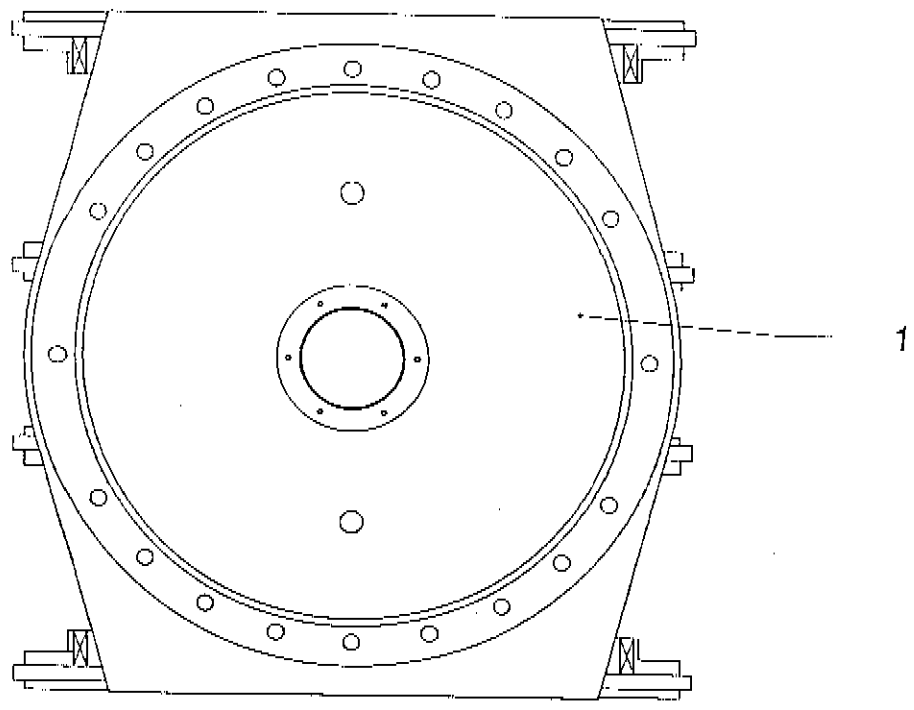
PAGE

YOKE

VRG-50

SEPTEMBER'94

40.5.0



STRUCTURAL COMPONENTS

TYPE

DATE

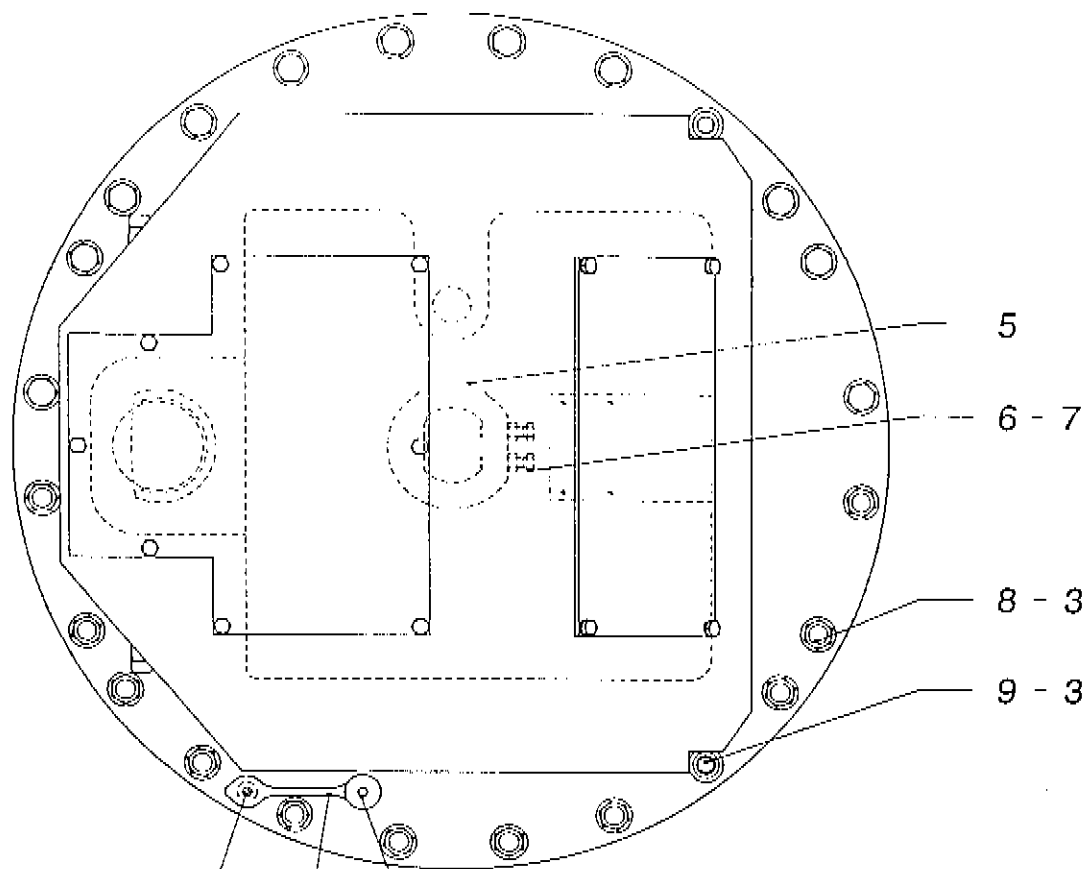
PAGE

SWIVEL HEAD

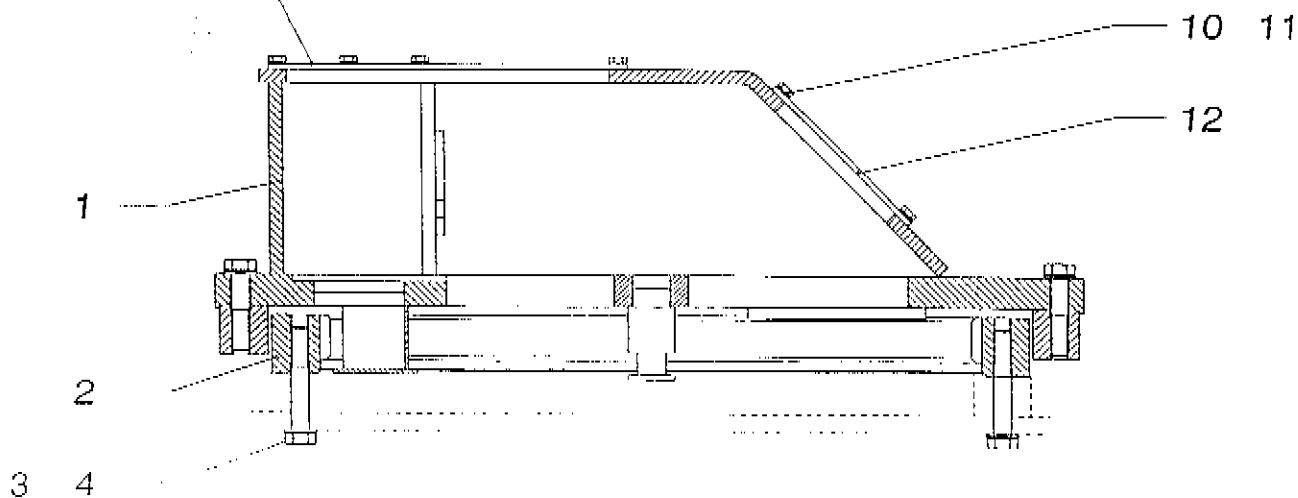
VRG 50

SEPTEMBER'94

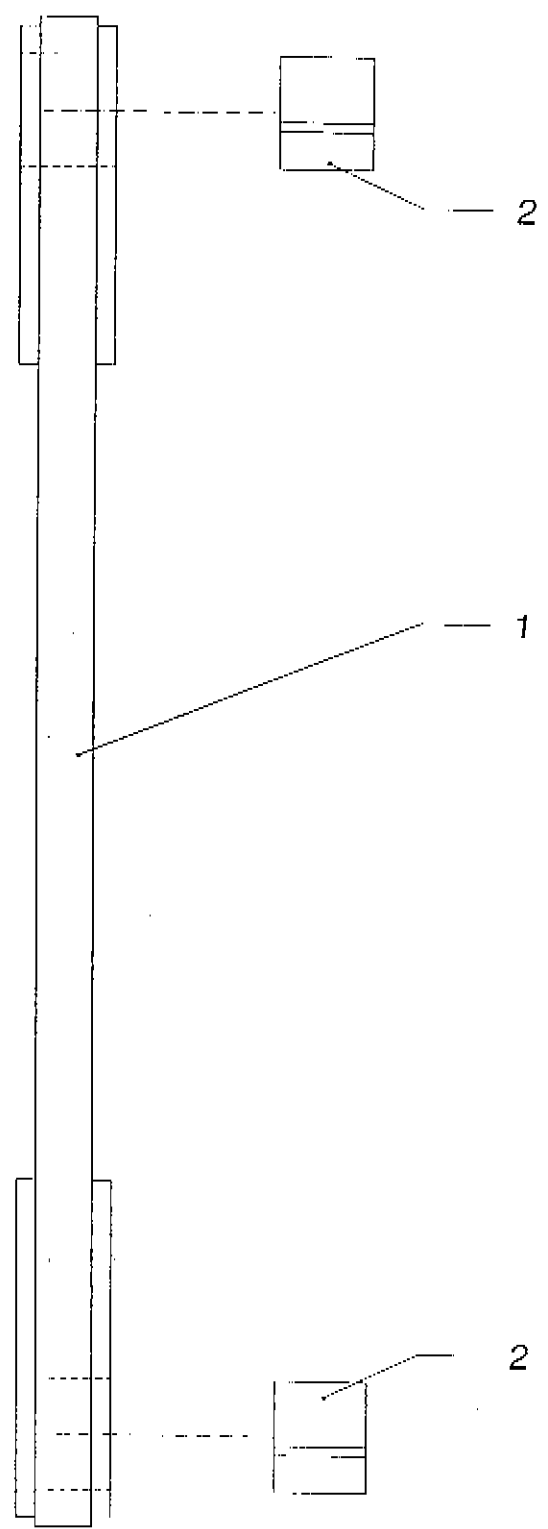
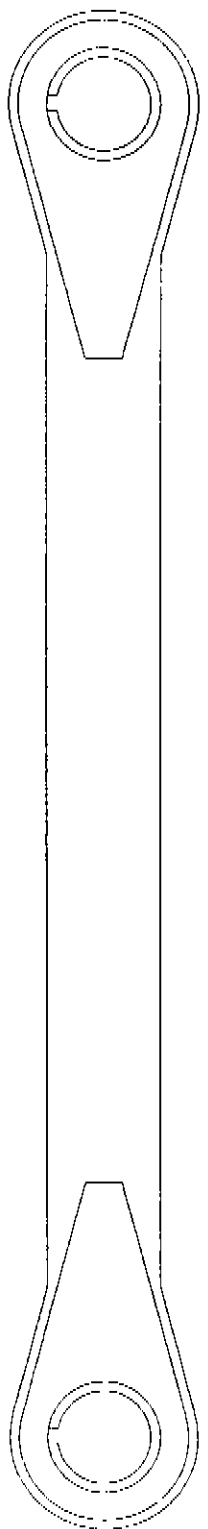
50.5.0



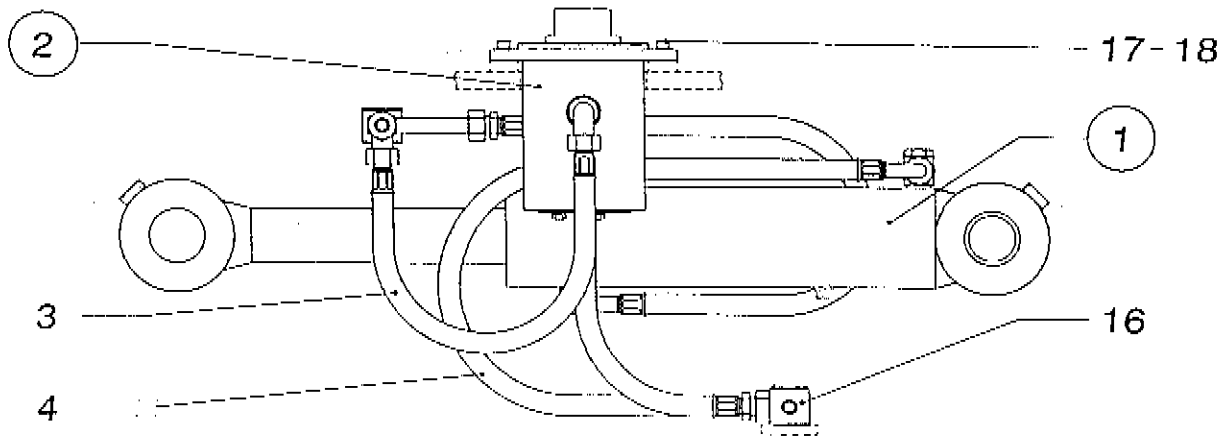
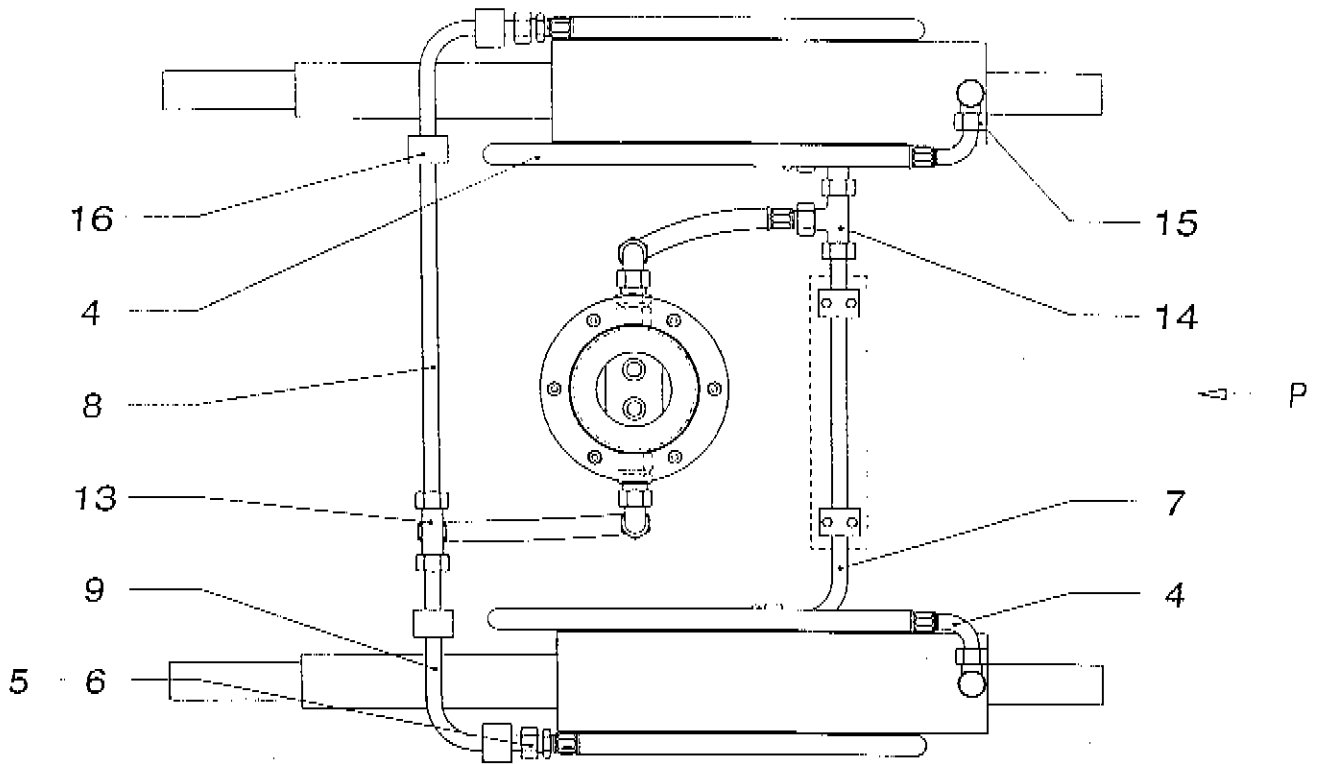
13 14 16 17
15 18



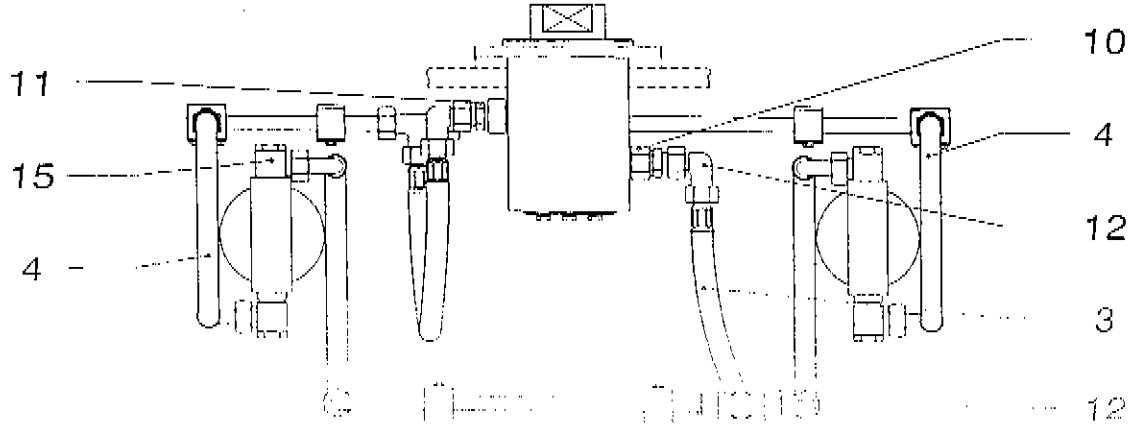
STRUCTURAL COMPONENTS	TYPE	DATE	PAGE
PUSH ROD	VRG-50	SEPTEMBER'94	60.5.0



STRUCTURAL COMPONENTS	TYPE	DATE	PAGE
HYDR. YOKE	V11G-50	SEPTEMBER 94	70.5.0



VIEW P



STRUCTURAL COMPONENTS

TYPE

DATE

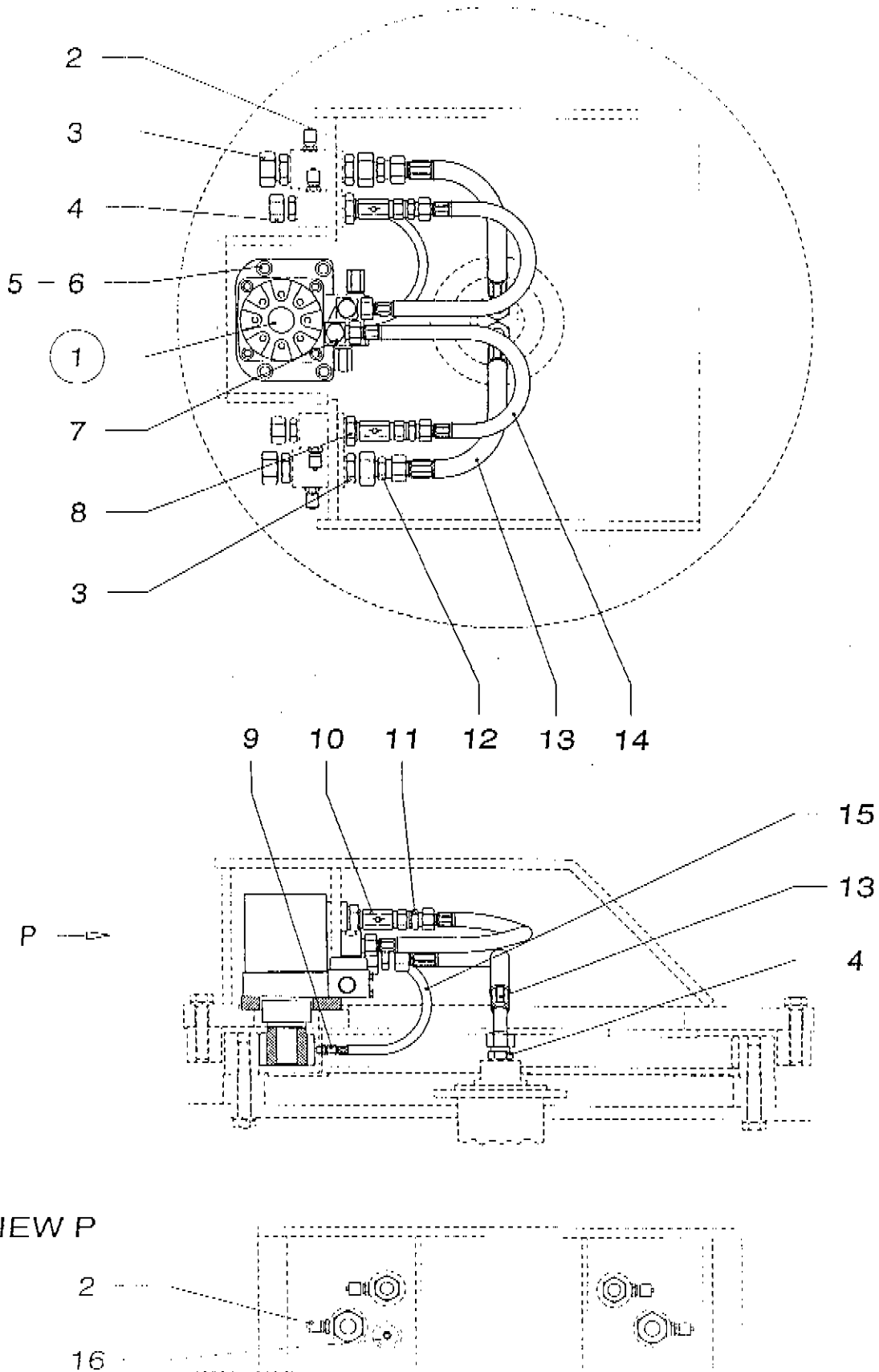
PAGE

HYDR. SWIVEL HEAD

VRG-50

SEPTEMBER'94

80.5.0



STRUCTURAL COMPONENTS

TYPE

DATE

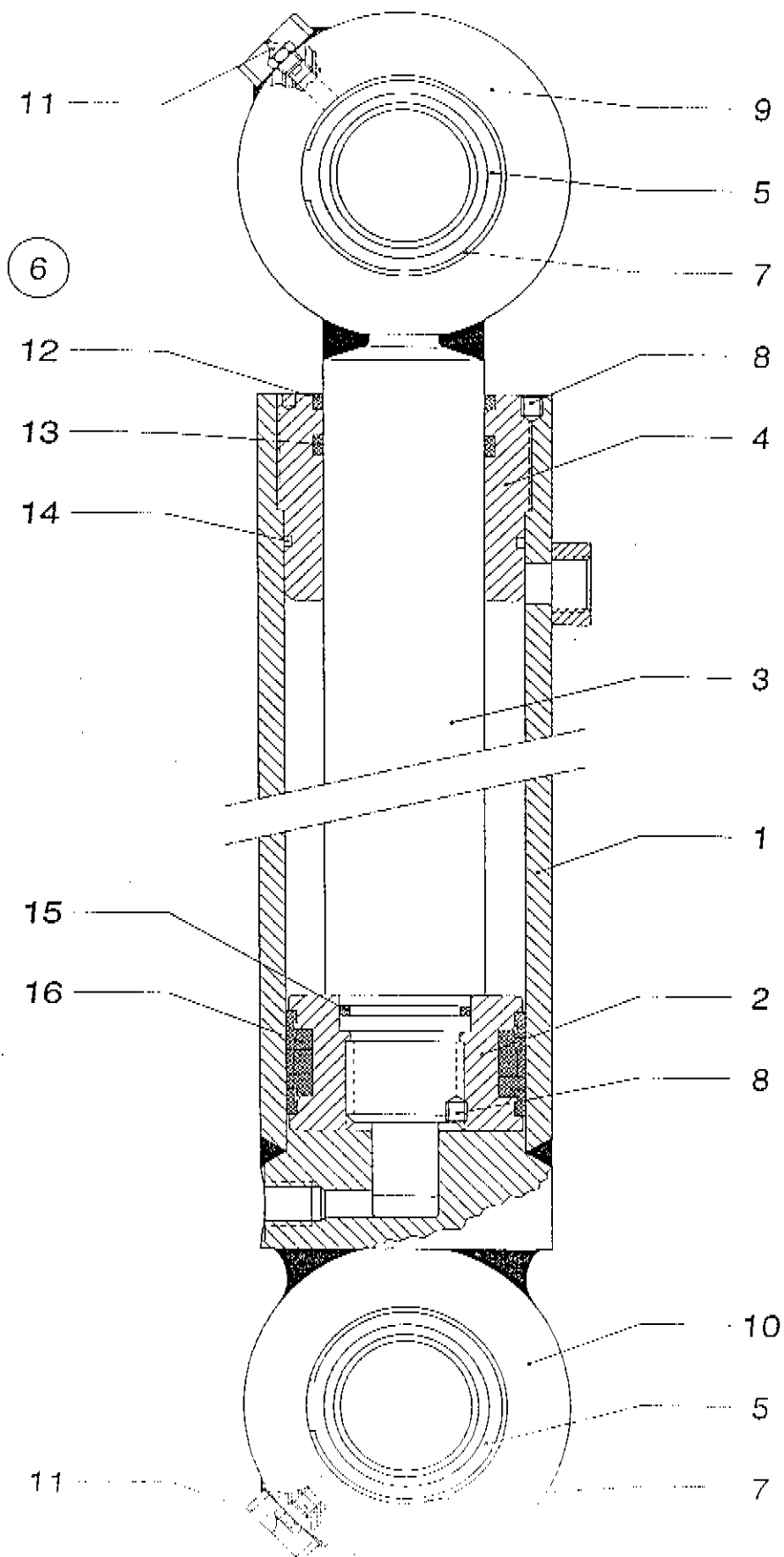
PAGE

CYLINDER

VRG-50

SEPTEMBER'94

90.5.0

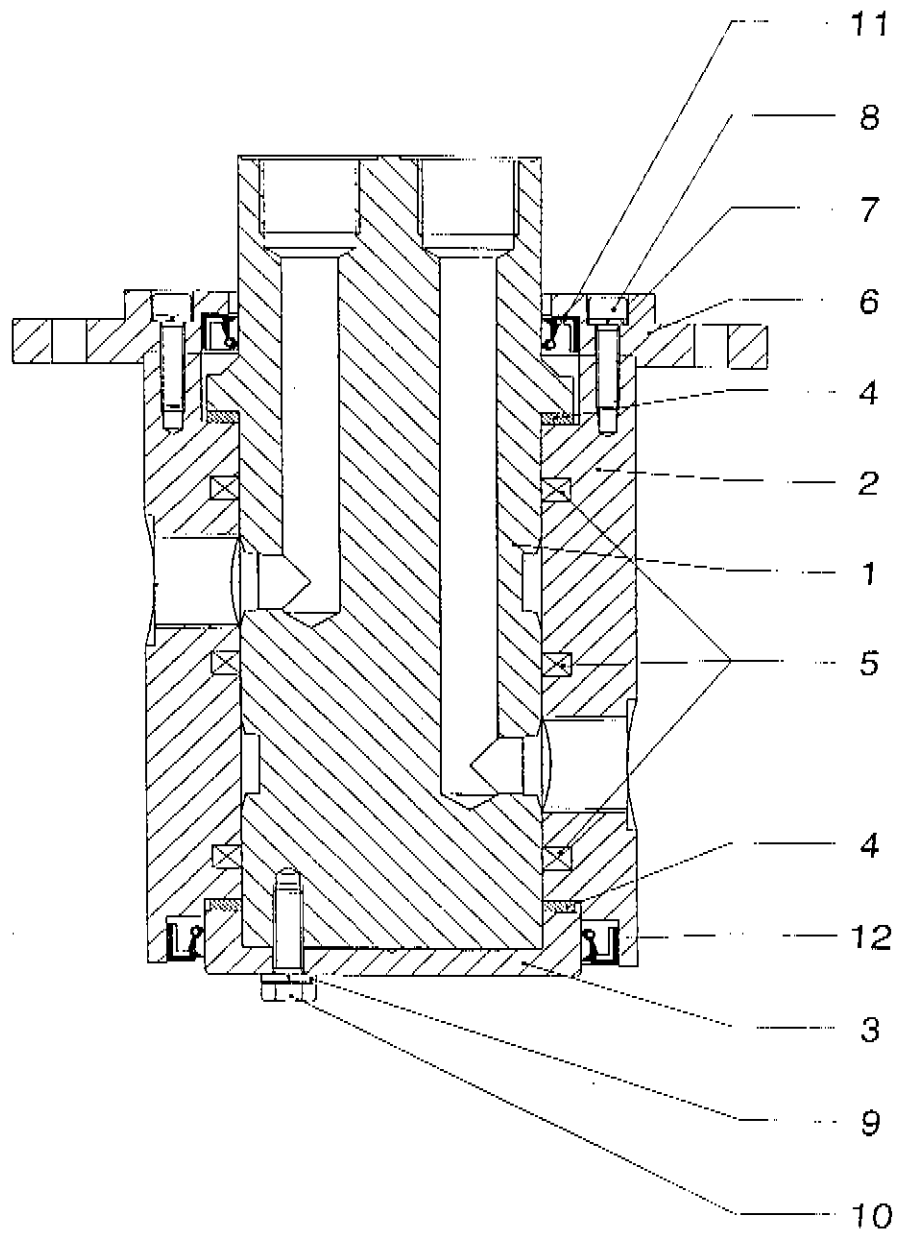


STRUCTURAL COMPONENTS
HYDRAULIC SWIVEL JOINT

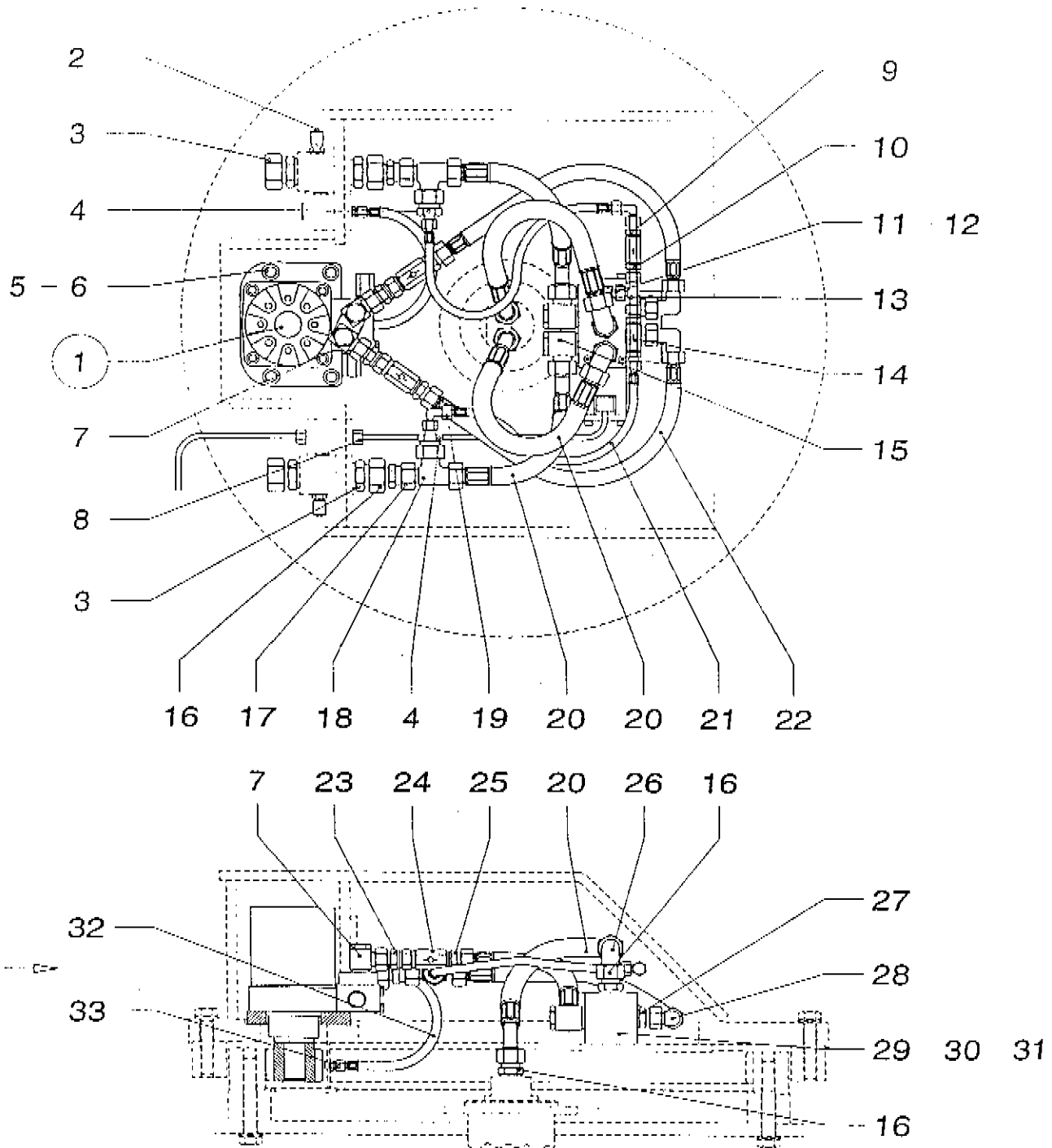
TYPE
VRG-50

DATE
SEPTEMBER'94

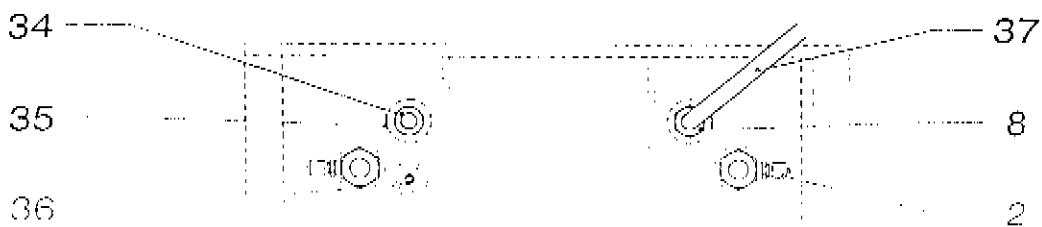
PAGE
100.5.0



STRUCTURAL COMPONENTS	TYPE	DATE	PAGE
HYDR. SWIVEL HEAD 6/2 VAI VF	VRG-50	SEPTEMBER 94	120.5.0



VIEW P



STRUCTURAL COMPONENTS	TYPE	SERIAL No.	SITUATION	PAGE
HYDR. SWIVEL HEAD 6/2 VALVE	VRG-50	FROM: 16462 TO: 22010	SEPTEMBER'94	120.5.0

FIG	ET-No.	DESCRIPTION	NUMB	PRODUCTION No.	DIN	REMARKS
1	00SS319500	HYDR. MOTOR	1			PAGE 110.5.0
2	0000488008	CAUGE COUPLING	2			
3	000H038346	COUPLING	4			
4	000H038999	COUPLING	2			
5	0000226351	BOLT	4	M16x40-10.9	912	
6	0000290046	LOCK WASHER	4	M16	127-B	
7	000H028872	COUPLING	2			
8	0000800100	COUPLING	2			
9	000H038196	COUPLING	2			
10	000H038340	COUPLING	2			
11	000H028868	COUPLING	1			
12	000H032513	COUPLING	1			
13	000H038759	COUPLING	1			
14	0000526005	CHECK VALVE	2			
15	000H028873	COUPLING	2			
16	000H038345	COUPLING	4			
17	000H039010	COUPLING	2			
18	000H038784	COUPLING	2			
19	000H038739	COUPLING	2			
20	0401040402	HOSE	4			
21	0400420500	HOSE	2			
22	0400840550	HOSE	2			
23	000H038212	COUPLING	2			
24	0000527017	FLOW CONTROL VALVE	2			
25	000H038344	COUPLING	2			
26	000H038744	COUPLING	2			
27	000H138344	COUPLING	2			
28	000H038743	COUPLING	2			
29	0000505040	6/2 VALVE	1			
30	0000225149	BOLT	4	M6x90-8.8	912	
31	0000292028	LOCK WASHER	4	M6	7980	
32	0400410390	HOSE	1			
33	000H038351	COUPLING	2			
34	000H036864	SCREW PLUG	2			
35	000H036858	SCREW PLUG	2			
36	0000345400	LUBRICATING NIPPLE	1	M10x1-180°	71412	
37	0000800050	CABLE	1			L = 3.5 M