



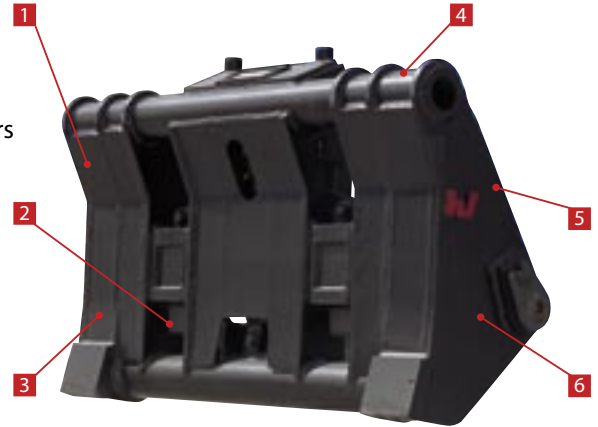
Thanks to its universal design, the Verachttert System 2000® quick coupler system enables all types of interchangeable attachments to connect effortlessly with different front loader classes. If you want a quick coupler system that offers more convenience and more efficiency than any other system on the market, then the Verachttert System 2000® is your obvious choice. Verachttert's System 2000® quick coupler system offers unique features that put it in a class of its own. The vertical coupling, for example, makes the System 2000® universal for all front loaders whatever the make or type. A small opening between machine and attachment ensures an optimal breakout

and thrust force. In addition, the self-correcting functioning of the hydraulic cylinder locks the system between the adaptor hook and the wedge housing, which reduces wear and tear considerably ■

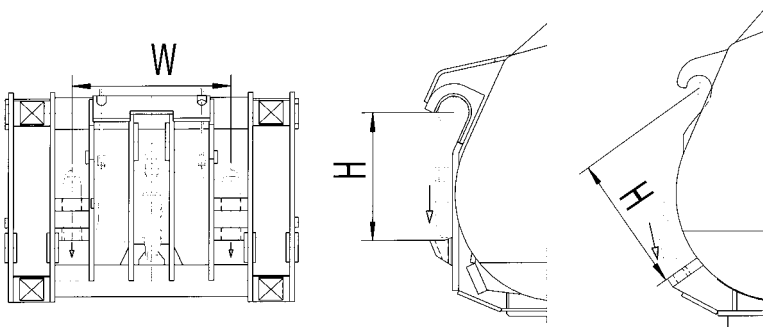


Features and benefits SW

- 1 Advanced 3D design ensures minimal loss of break-out force
- 2 Hydraulic control for easy manoeuvrability
- 3 Integrated back pressure valve
- 4 Vertical coupling makes the system universal for all types of front loaders
- 5 Optimal lock in the hook
- 6 Cylinder with safety valve for smooth operation and low wear and tear



Option: The Verachttert System 2000® quick coupler system can also be operated by an electro-hydraulic unit.



Specifications SW 2000®	SW 2001	SW 2002	SW 2003	SW 2004	SW 2005
Loader weight (ton)	0 - 3,5	3,5 - 6	6 - 8	8 - 10	10 - 12
Loader class	01	02	03	04	05
Dimension (H) (mm)	285	285	425	425	425
Dimension (W) (mm)	465	465	527	527	527
Weight SW 2000® (kg)	130	150	280	310	370
Min/Max oil pressure hydraulic couple/uncouple (bar)	110 - 350	110 - 350	110 - 350	110 - 350	110 - 350
Oil output (l/min)	40	40	40	40	40
Number of Wedges	2	2	2	2	2

Specifications SW 2000®	SW 2006	SW 2007	SW 2008	SW 2109	SW 2111
Loader weight (ton)	12 - 14	14 - 18	18 - 22	22 - 34	34 - 54
Loader class	06	07	08	09/10	11
Dimension (H) (mm)	425	515	515	605	1070
Dimension (W) (mm)	527	650	650	1610	1700
Weight SW 2000® (kg)	430	530	630	1080	1800
Min/Max oil pressure hydraulic couple/uncouple (bar)	110 - 350	110 - 350	110 - 350	80 - 350	80 - 350
Oil output (l/min)	40	40	40	40	40
Number of Wedges	2	2	2	4	3

NOTE: The SW-series Quick-Couplers need to be controlled by the Universal Hydraulic Quick-Coupler Control System (SB-unit). In case the customer's machine has been equipped with a different QC Control Unit, not offered by Verachttert, the user has to ensure that that this system meets SW-series hydraulic requirements.

Your dealer:

